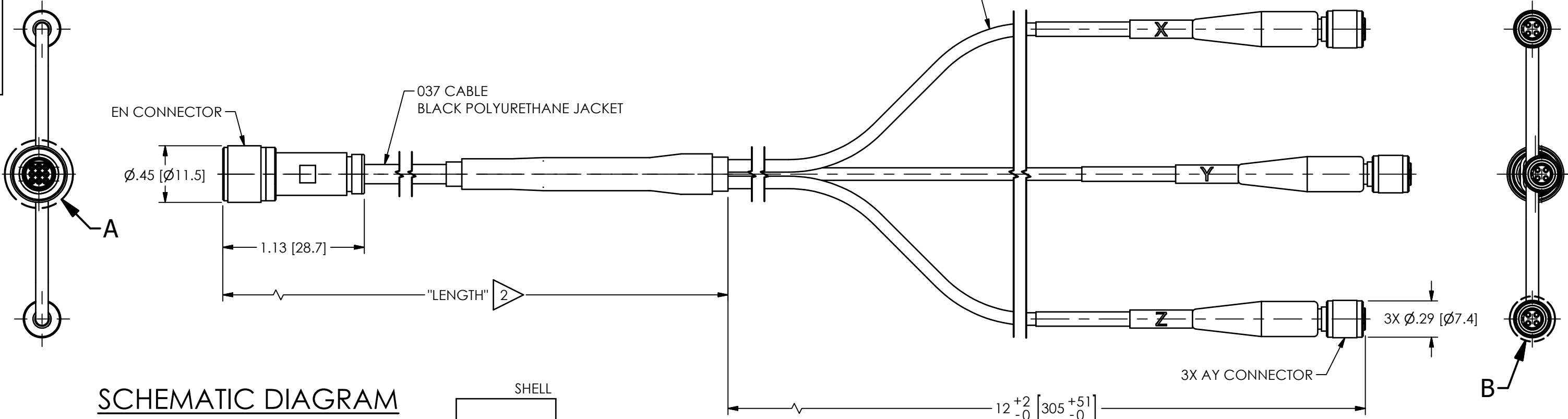


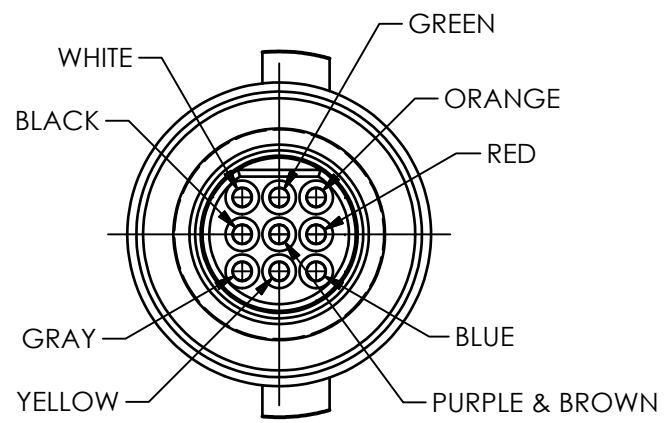
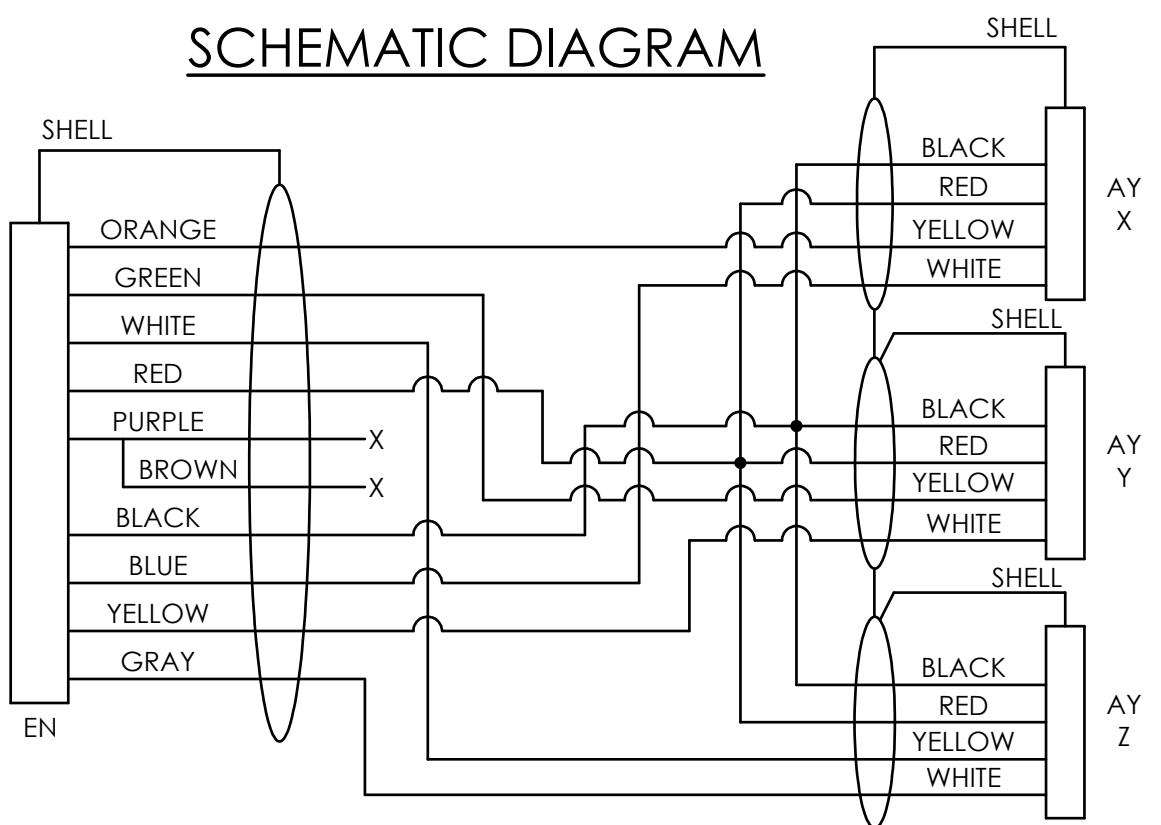
PCB Piezotronics Inc. claims proprietary rights in the information disclosed herein. Neither it nor any reproduction thereof will be disclosed to others without the written consent of PCB Piezotronics Inc.

74887

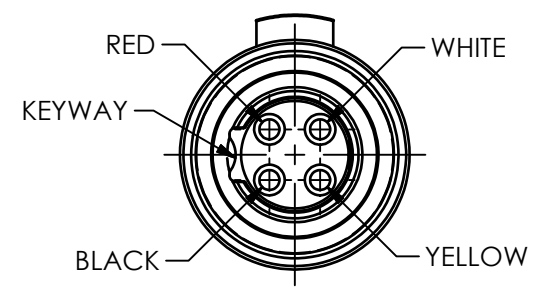
REVISIONS		
REV	DESCRIPTION	DIN
NR	RELEASED TO DRAFTING	51754



SCHMATIC DIAGRAM



**DETAIL A
SCALE 3.5X**



**3X DETAIL B
SCALE 4X**

- 2 LENGTH WILL VARY IN FEET OR METERS DEPENDING ON THE MODEL
- 1.) CONSISTS OF THREE (3) BLUE 010 FOUR CONDUCTOR CABLES THAT ARE 12" LONG AND TERMINATE IN AN AY CONNECTOR (4-SOCKET PLUG)

UNLESS OTHERWISE SPECIFIED TOLERANCES ARE:		DRAWN		CHECKED		ENGINEER	
DIMENSIONS IN INCHES		JJF	7/20/21	JJF	7/20/21	HWK	7/20/21
DECIMALS XX ±0.03 XXX ±0.010		TITLE					
ANGLES ± 2 DEGREES		OUTLINE DRAWING 037AXX SERIES 037ENXXXJS SERIES					
CABLE TOLERANCES IN ENGLISH		CODE IDENT. NO. 52681					
1"≤ LENGTH < 1' = +1"/-0		DWG. NO. 74887					
1'≤ LENGTH < 5' = +2"/-0		SCALE: 1.25X SHEET 1 OF 1					
5'≤ LENGTH < 100' = +6"/-0							
100'≤ LENGTH = +1"/-0							
FILLET AND RADII .003 - .005							
FILLET AND RADII 0.07 - 0.13							

PCB PIEZOTRONICS
AN AMPHENOL COMPANY

3425 WALDEN AVE. DEPEW, NY 14043
(716) 684-0001 E-MAIL: sales@pcb.com