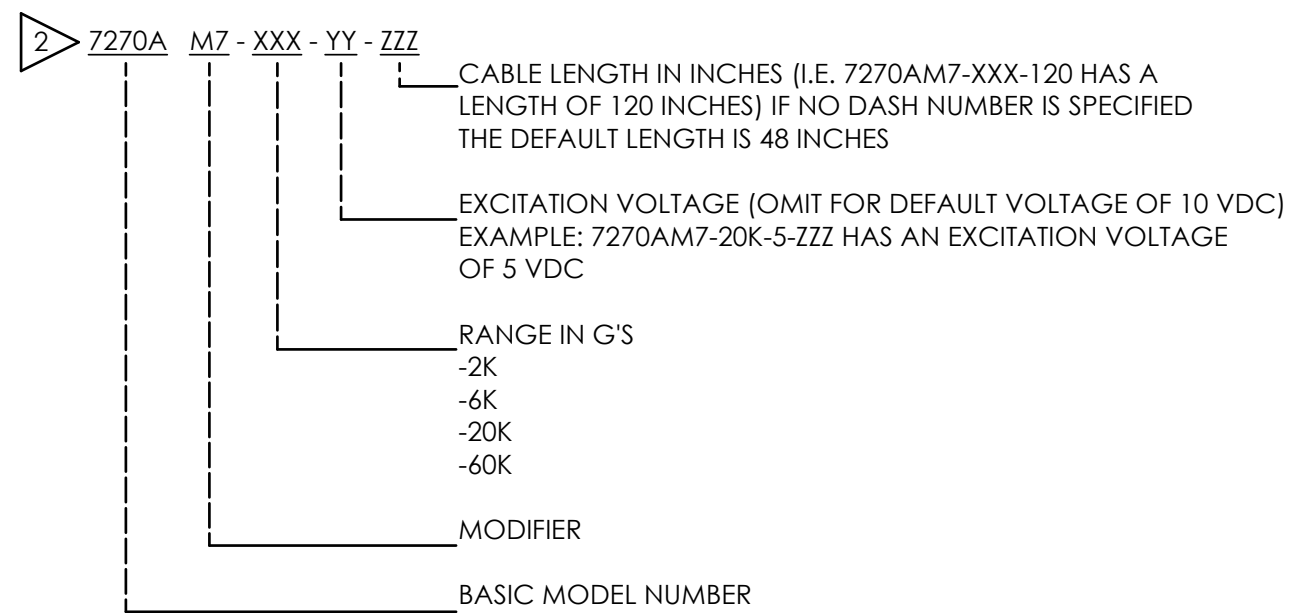
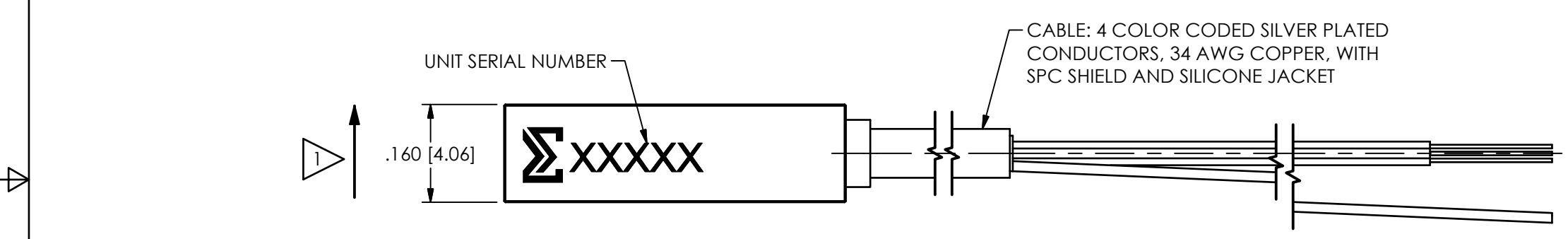
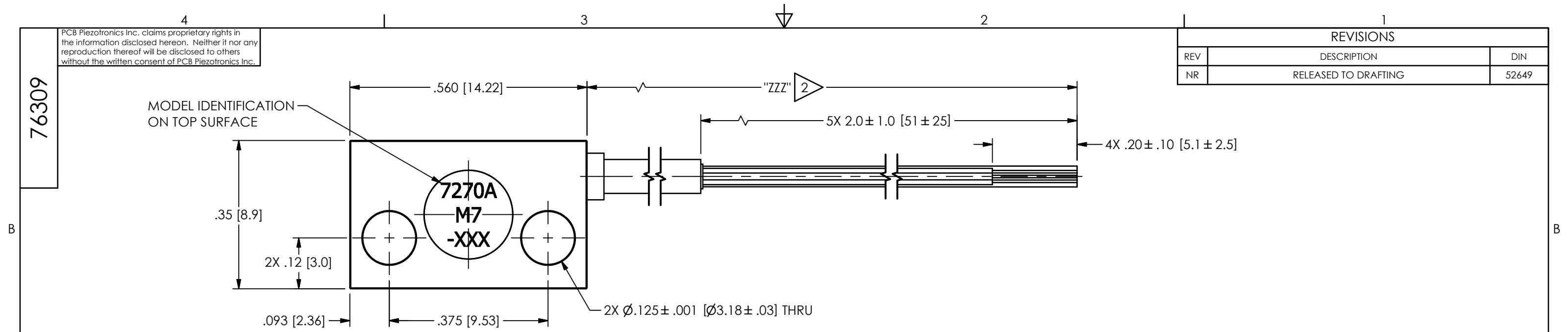


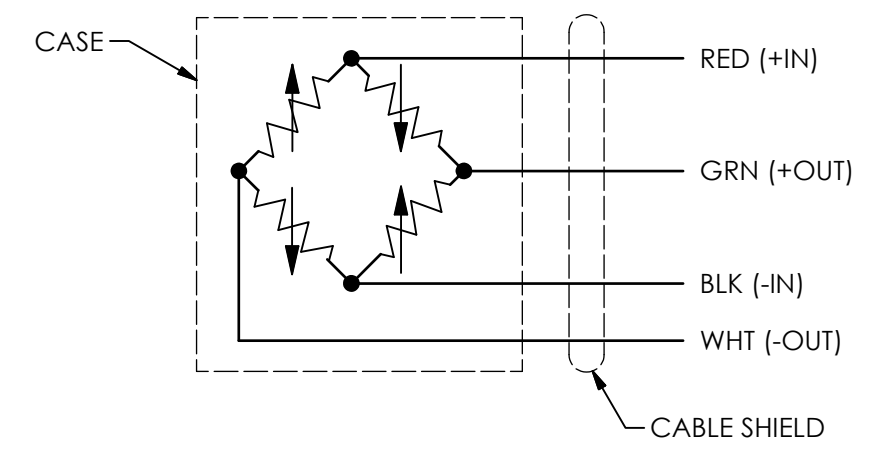
PCB Piezotronics Inc. claims proprietary rights in the information disclosed hereon. Neither it nor any reproduction thereof will be disclosed to others without the written consent of PCB Piezotronics Inc.

76309

REVISIONS		
REV	DESCRIPTION	DIN
NR	RELEASED TO DRAFTING	52649



SCHEMATIC DIAGRAM



2 LENGTH WILL VARY IN FEET OR METERS DEPENDING ON THE MODEL
 1 ACCELERATION IN THIS DIRECTION GIVES POSITIVE OUTPUT

UNLESS OTHERWISE SPECIFIED TOLERANCES ARE:		DRAWN		CHECKED		ENGINEER			
DIMENSIONS IN INCHES DECIMALS XX ±.03 XXX ±.010 ANGLES ± 2 DEGREES		DIMENSIONS IN MILLIMETERS [IN BRACKETS] DECIMALS X ± 0.8 XX ± 0.25 ANGLES ± 2 DEGREES		JJF	4/4/22	JJF	4/4/22		
CABLE TOLERANCES IN ENGLISH 1' ≤ LENGTH < 1' = +1' / - 0 1' ≤ LENGTH < 5' = +2' / - 0 5' ≤ LENGTH < 100' = +6' / - 0 100' ≤ LENGTH = +1' / - 0		CABLE TOLERANCES IN METRIC 2.54cm ≤ LENGTH < 30.5cm = +2.54cm / - 0 30.5cm ≤ LENGTH < 1.5m = +5.1cm / - 0 1.5m ≤ LENGTH < 30.5m = +15.2cm / - 0 30.5m ≤ LENGTH = +30.5cm / - 0		TITLE OUTLINE DRAWING 7270AM7 SERIES ACCELEROMETER				<p>ENDEVCO AN AMPHENOL COMPANY PCB PIEZOTRONICS OF NC, INC (DBA ENDEVCO) 10869 NC HIGHWAY 903, HALIFAX, NC 27839</p>	
FILLETS AND RADII .003 - .005		FILLETS AND RADII 0.07 - 0.13		CODE IDENT. NO. BDN13		DWG. NO. 76309			
				SCALE: 4.5X		SHEET 1 OF 1			