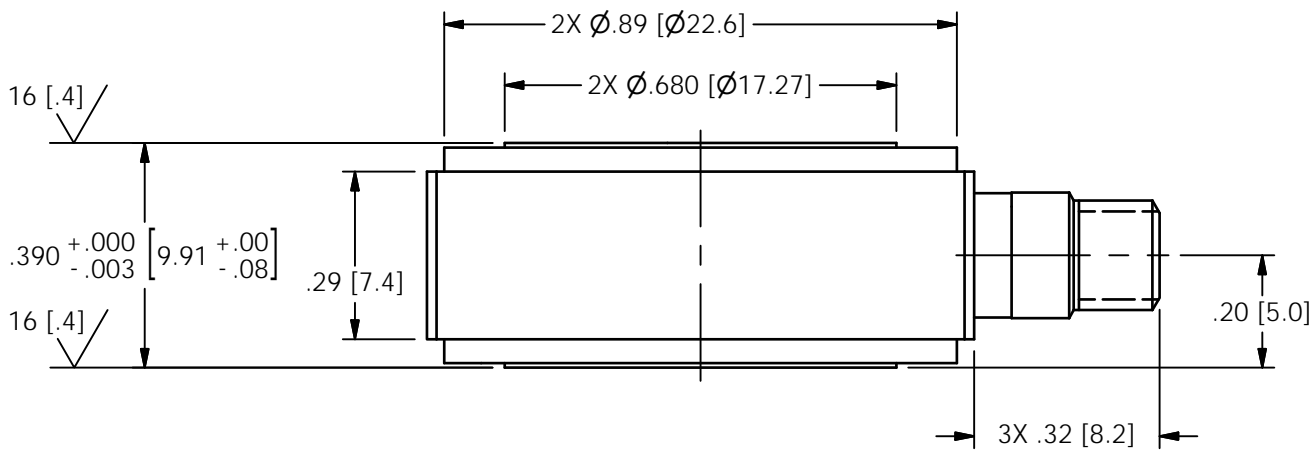
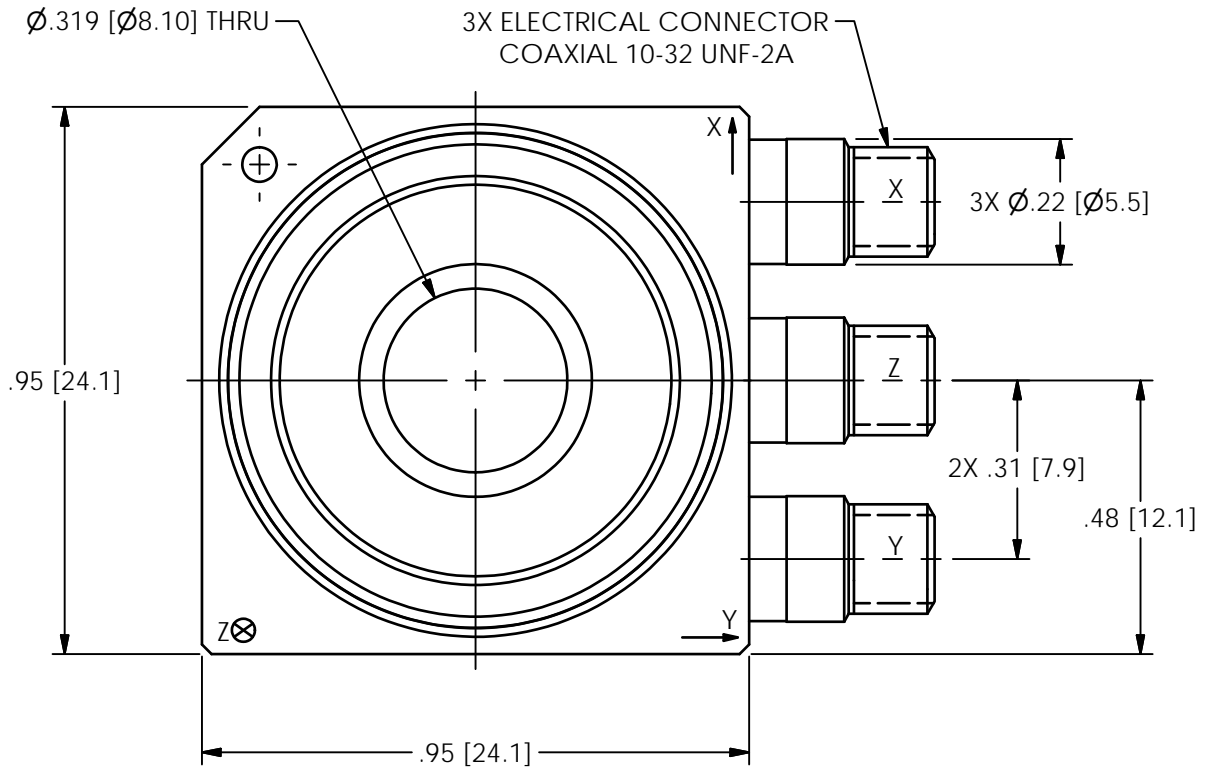


PCB Piezotronics Inc. claims proprietary rights in the information disclosed hereon. Neither it nor any reproduction thereof will be disclosed to others without the written consent of PCB Piezotronics Inc.

REVISIONS		
REV	DESCRIPTION	DIN
F	REVISED OVERALL HEIGHT	49113

10107



1.) SEE SHEET 2 AND 3 FOR STANDARD AND METRIC MOUNTING INSTRUCTIONS

UNLESS OTHERWISE SPECIFIED TOLERANCES ARE:		DRAWN		CHECKED		ENGINEER		PCB PIEZOTRONICS™	
DIMENSIONS IN INCHES	DIMENSIONS IN MILLIMETERS [IN BRACKETS]	JES	2/8/19	JDM	2/8/19	MJK	2/8/19	3425 WALDEN AVE. DEPEW, NY 14043 (716) 684-0001 E-MAIL: sales@pcb.com	
DECIMALS XX ±.01 XXX ±.005	DECIMALS X ± 0.3 XX ± 0.13	TITLE INSTALLATION DRAWING MODEL (M) 260A11 TRIAxIAL FORCE SENSOR						CODE IDENT. NO. 52681	DWG. NO. 10107
ANGLES ± 2 DEGREES	ANGLES ± 2 DEGREES							SCALE: 3X	SHEET 1 OF 3
FILLETS AND RADII .003 - .005	FILLETS AND RADII 0.07 - 0.13								

2

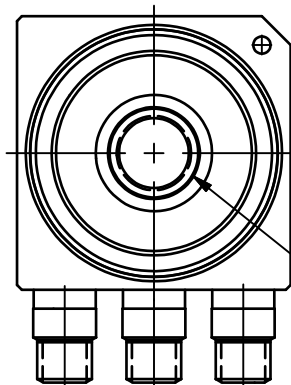
1

PCB Piezotronics Inc. claims proprietary rights in the information disclosed hereon. Neither it nor any reproduction thereof will be disclosed to others without the written consent of PCB Piezotronics Inc.

REVISIONS

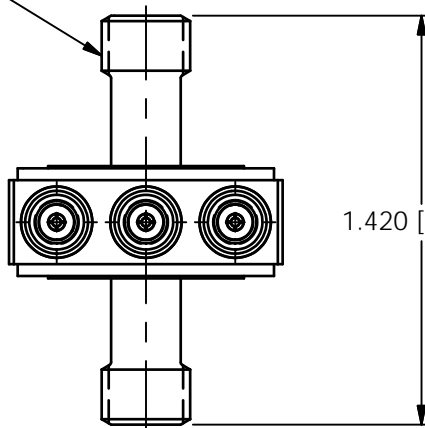
REV	DESCRIPTION	DIN
	-SEE SHEET 1-	

10107



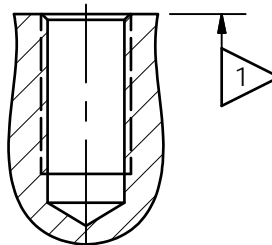
MODEL 083A10 PILOT BUSHING (SUPPLIED)

MODEL 081A70 STUD 5/16-24 UNF-2A TYP EACH END (SUPPLIED)



1.420 [36.07]

TYP STUD MOUNTING INSTALLATION



MOUNTING HOLE PREPARATION:

Ø.272[Ø6.91] ∇ .655[16.64] ∇ 2
5/16-24 UNF-2B ∇ .555[14.10] ∇ 2

3.) SEE MANUAL FOR PRELOAD INSTRUCTIONS

∇ 2 DRILL PERPENDICULAR TO MOUNTING SURFACE TO WITHIN $\pm 1^\circ$

∇ 1 MOUNTING SURFACE UNDER FORCE RING MUST BE FLAT WITHIN $\pm .001$ [.03] TIR WITH A SURFACE FINISH OF 32 [.8]

UNLESS OTHERWISE SPECIFIED TOLERANCES ARE:		DRAWN		CHECKED		ENGINEER		 3425 WALDEN AVE. DEPEW, NY 14043 (716) 684-0001 E-MAIL: sales@pcb.com	
DIMENSIONS IN INCHES	DIMENSIONS IN MILLIMETERS [IN BRACKETS]	JES	2/8/19	JDM	2/8/19	MJK	2/8/19		
DECIMALS XX $\pm .01$ XXX $\pm .005$	DECIMALS X ± 0.3 XX ± 0.13	TITLE INSTALLATION DRAWING MODEL 260A11 TRIAxIAL FORCE SENSOR						SCALE: 1.5X	SHEET 2 OF 3
ANGLES ± 2 DEGREES	ANGLES ± 2 DEGREES							FILLETS AND RADII .003 - .005	FILLETS AND RADII 0.07 - 0.13

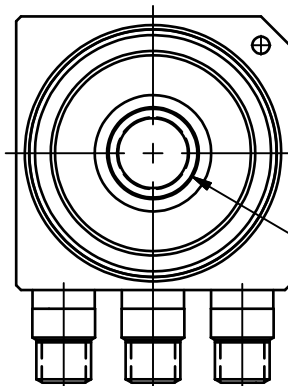
2

1

PCB Piezotronics Inc. claims proprietary rights in the information disclosed hereon. Neither it nor any reproduction thereof will be disclosed to others without the written consent of PCB Piezotronics Inc.

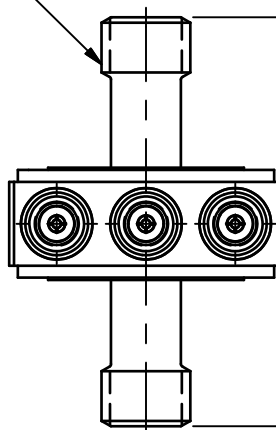
REVISIONS		
REV	DESCRIPTION	DIN
	-SEE SHEET 1-	

10107



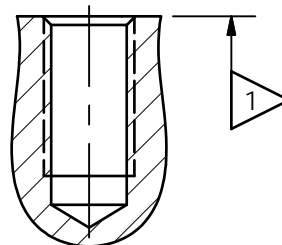
MODEL 083A10
PILOT BUSHING
(SUPPLIED)

MODEL M081A70 STUD
M8 X 1.25-6g
TYP EACH END
(SUPPLIED)




1.420 [36.1]

TYP STUD MOUNTING
INSTALLATION




MOUNTING HOLE PREPARATION:

Ø.266[Ø6.80] ∇.655[16.64] 
M8 X 1.25-6H ∇.555[14.10]

3.) SEE MANUAL FOR PRELOAD INSTRUCTIONS

 DRILL PERPENDICULAR TO MOUNTING SURFACE TO WITHIN ±1°

 MOUNTING SURFACE UNDER FORCE RING MUST BE FLAT WITHIN ±.001[.03] TIR WITH A SURFACE FINISH OF 32 [.8]

UNLESS OTHERWISE SPECIFIED TOLERANCES ARE:		DRAWN		CHECKED		ENGINEER		 3425 WALDEN AVE. DEPEW, NY 14043 (716) 684-0001 E-MAIL: sales@pcb.com	
DIMENSIONS IN INCHES	DIMENSIONS IN MILLIMETERS [IN BRACKETS]	JES	2/8/19	JDM	2/8/19	MJK	2/8/19		
DECIMALS XX ±.01 XXX ±.005	DECIMALS X ± 0.3 XX ± 0.13	TITLE INSTALLATION DRAWING MODEL M260A11 TRIAXIAL FORCE SENSOR							
ANGLES ± 2 DEGREES	ANGLES ± 2 DEGREES								
FILLETS AND RADII .003 - .005	FILLETS AND RADII 0.07 - 0.13	CODE IDENT. NO. 52681		DWG. NO. 10107		SCALE: 1.5X		SHEET 3 OF 3	