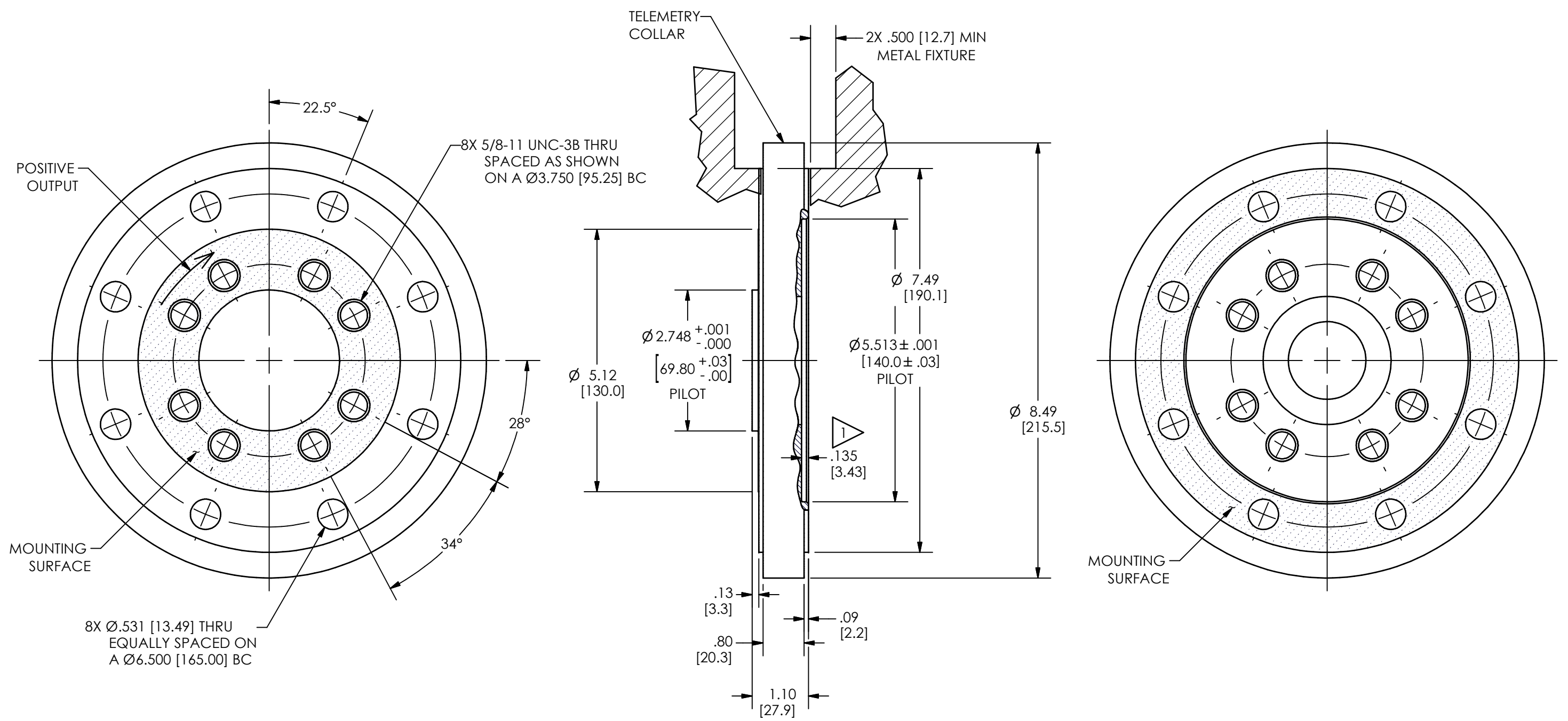


PCB Load & Torque Inc. claims proprietary rights in the information disclosed hereon. Neither it nor any reproduction thereof will be disclosed to others without the written consent of PCB Load and Torque Inc.

25140

REVISIONS		
REV	DESCRIPTION	DIN
D	DIMENSION WAS .075, ADDED NOTE 1. - 11.04.19, PTE	50141



1 MAXIMUM MATING PILOT DEPTH

UNLESS OTHERWISE SPECIFIED TOLERANCES ARE:		DRAWN	CHECKED	ENGINEER		 <b>PCB LOAD &amp; TORQUE</b> A PCB GROUP COMPANY	
DIMENSIONS IN INCHES	DIMENSIONS IN MILLIMETERS [IN BRACKETS]			JAM	1/13/12		24350 Indoplex Circle, Farmington Hills, MI 48335 (716) 684-0001 E-MAIL: linfo@pcbloadtorque.com
DECIMALS XX ±.01 XXX ±.005	DECIMALS X ± 0.3 XX ± 0.13	TITLE				<b>OUTLINE DRAWING</b> <b>MODEL 5308D SERIES</b> <b>TORKDISC®</b>	DWG. NO.
ANGLES ± .5 DEGREES	ANGLES ± .5 DEGREES						25140
FILLETS AND RADII .015 MAX	FILLETS AND RADII 0.38 MAX					SCALE: .5 X	SHEET 1 OF 1