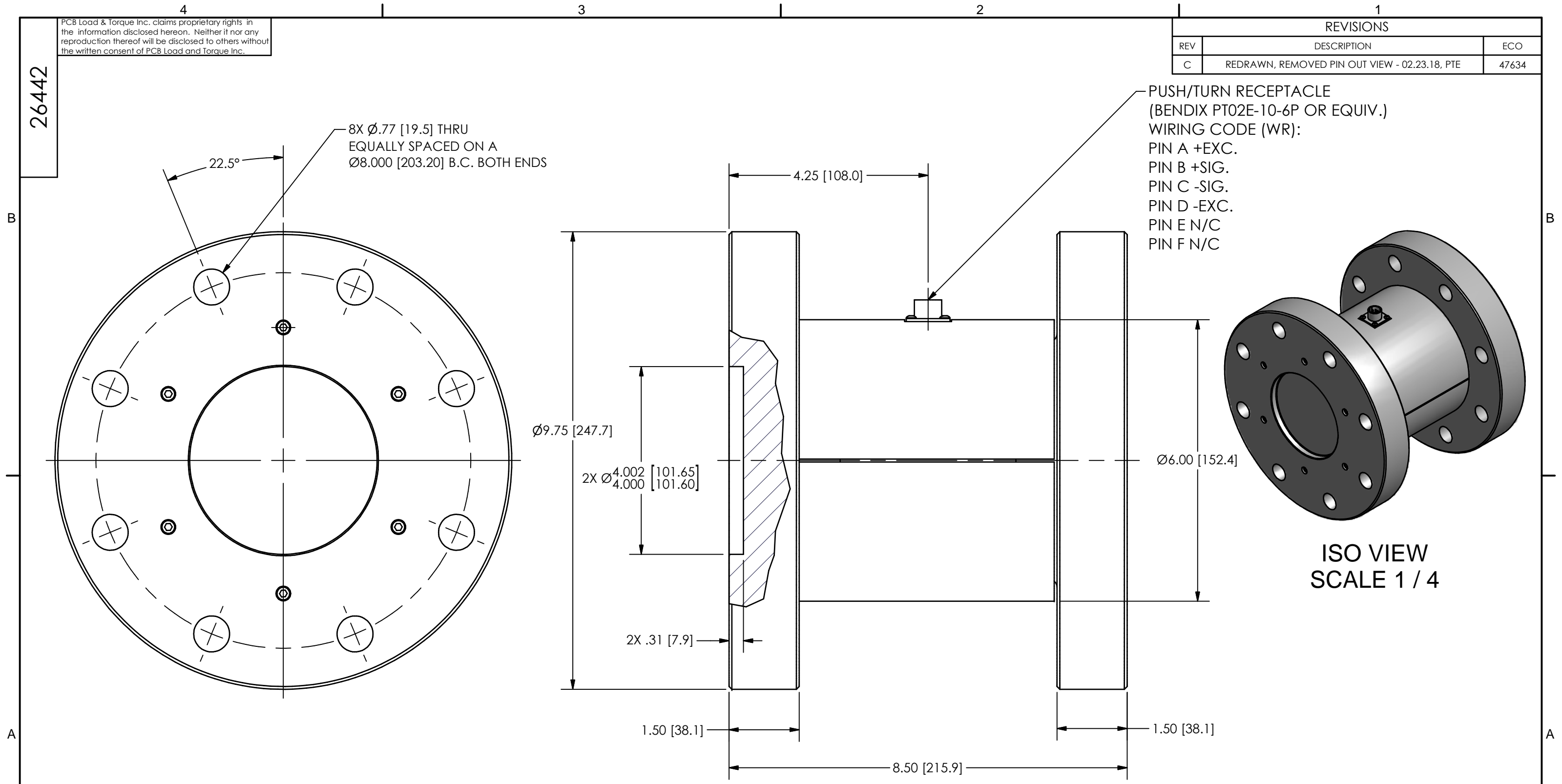


PCB Load & Torque Inc. claims proprietary rights in the information disclosed hereon. Neither it nor any reproduction thereof will be disclosed to others without the written consent of PCB Load and Torque Inc.

26442

REVISIONS		
REV	DESCRIPTION	ECO
C	REDRAWN, REMOVED PIN OUT VIEW - 02.23.18, PTE	47634



UNLESS OTHERWISE SPECIFIED TOLERANCES ARE:		DRAWN	CHECKED	ENGINEER		 PCB LOAD & TORQUE A PCB GROUP COMPANY 24350 Indoplex Circle, Farmington Hills, MI 48335 (716) 684-0001 E-MAIL: linfo@pcbloadtorque.com	
DIMENSIONS IN INCHES	DIMENSIONS IN MILLIMETERS [IN BRACKETS]	MDF	01.19.12	ECB	01.26.12		PTE
DECIMALS XX ±.01 XXX ±.005	DECIMALS X ±.3 XX ±.13	TITLE					DWG. NO.
ANGLES ± .5 DEGREES	ANGLES ± .5 DEGREES	OUTLINE DRAWING MODEL 2304-XXA SERIES REACTION TORQUE SENSOR					26442
FILLETS AND RADII .015 MAX	FILLETS AND RADII 0.38 MAX						SCALE: .5X SHEET 1 OF 1