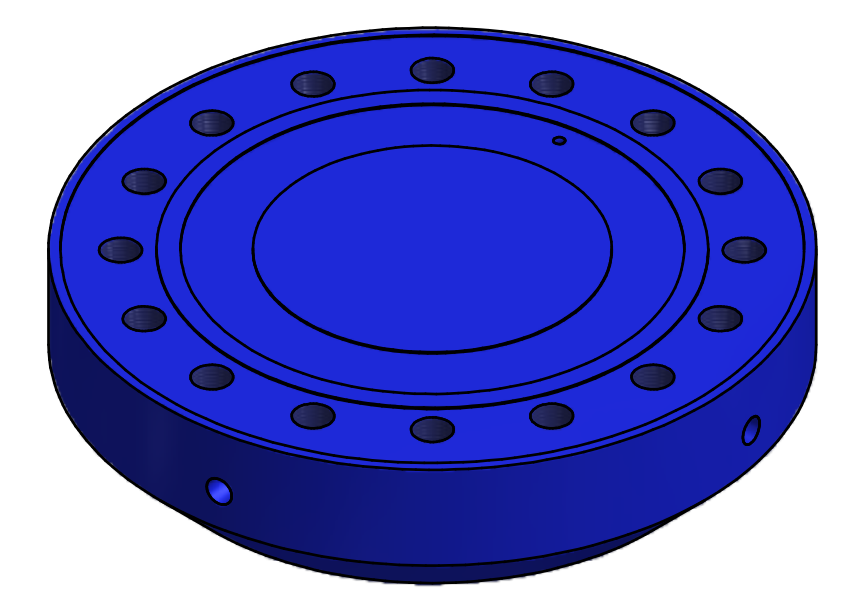
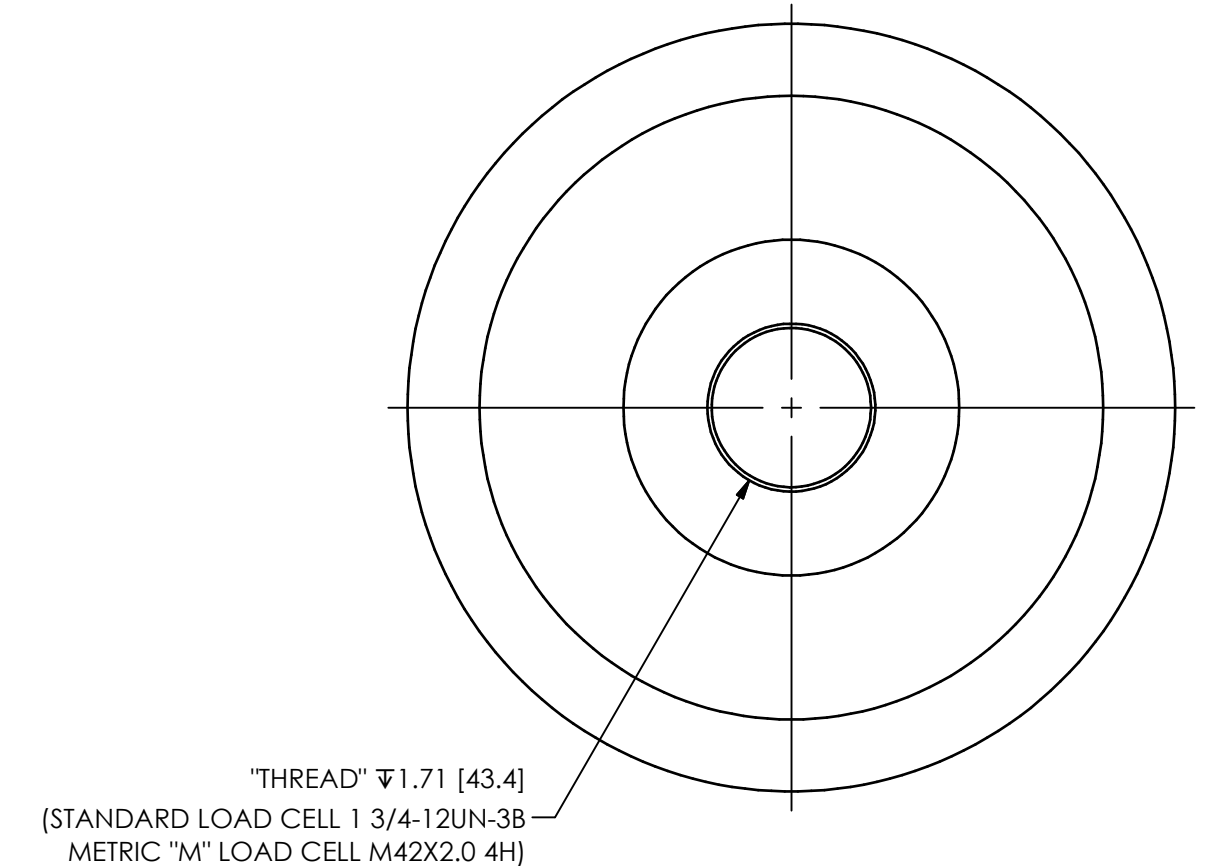
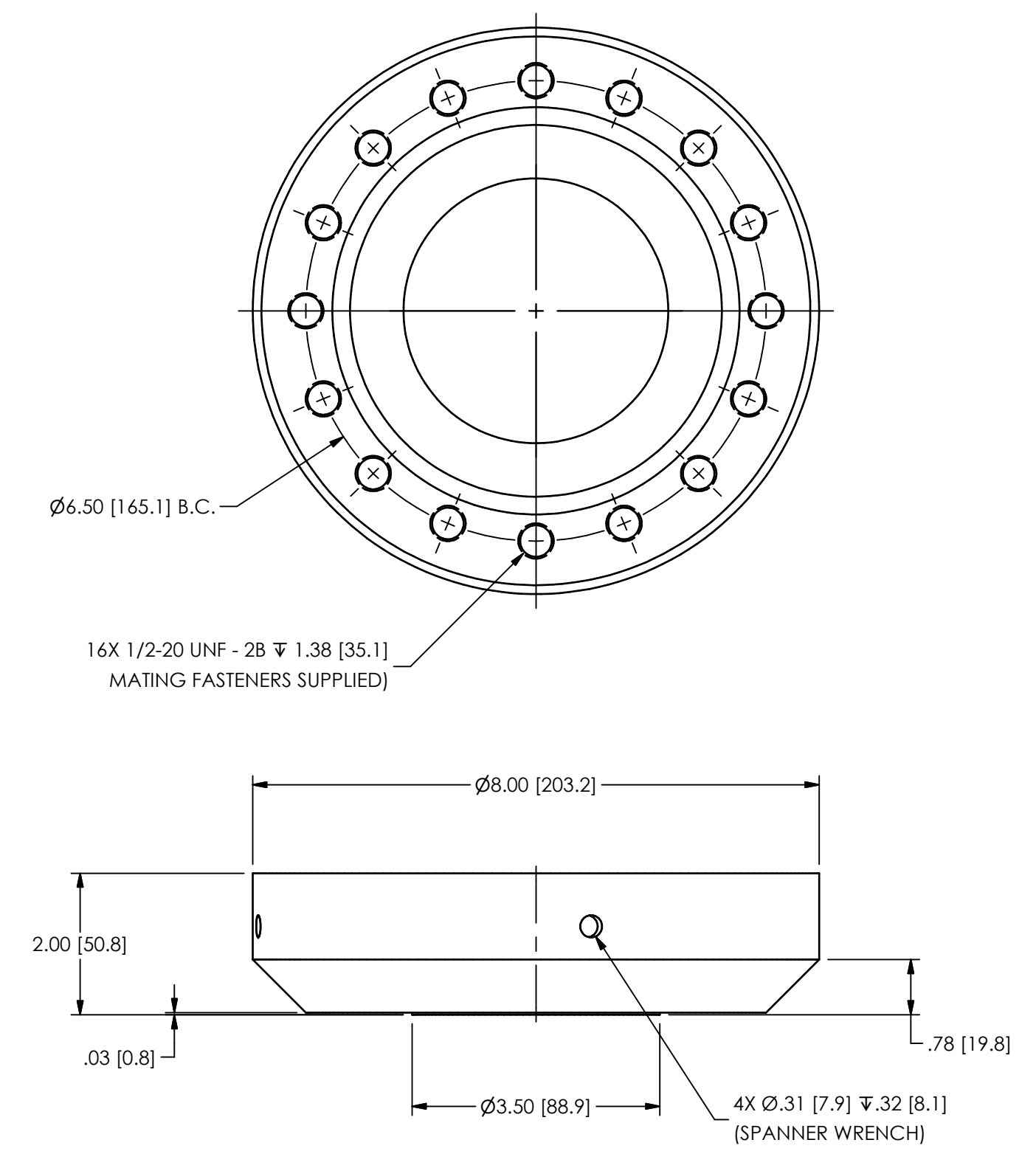
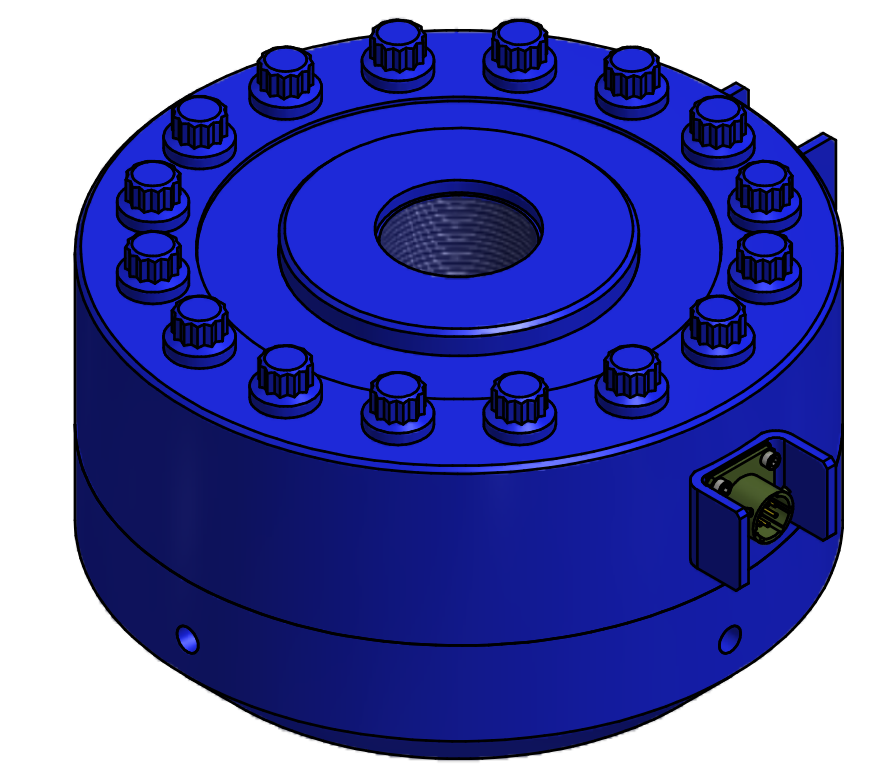
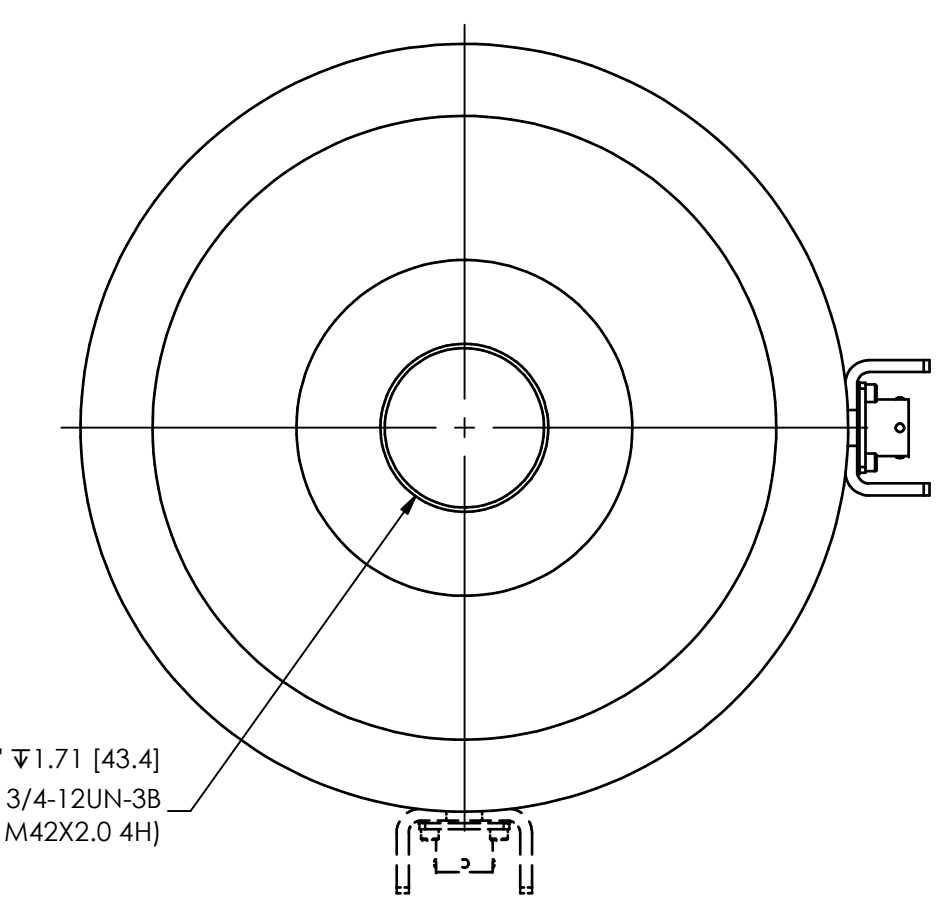
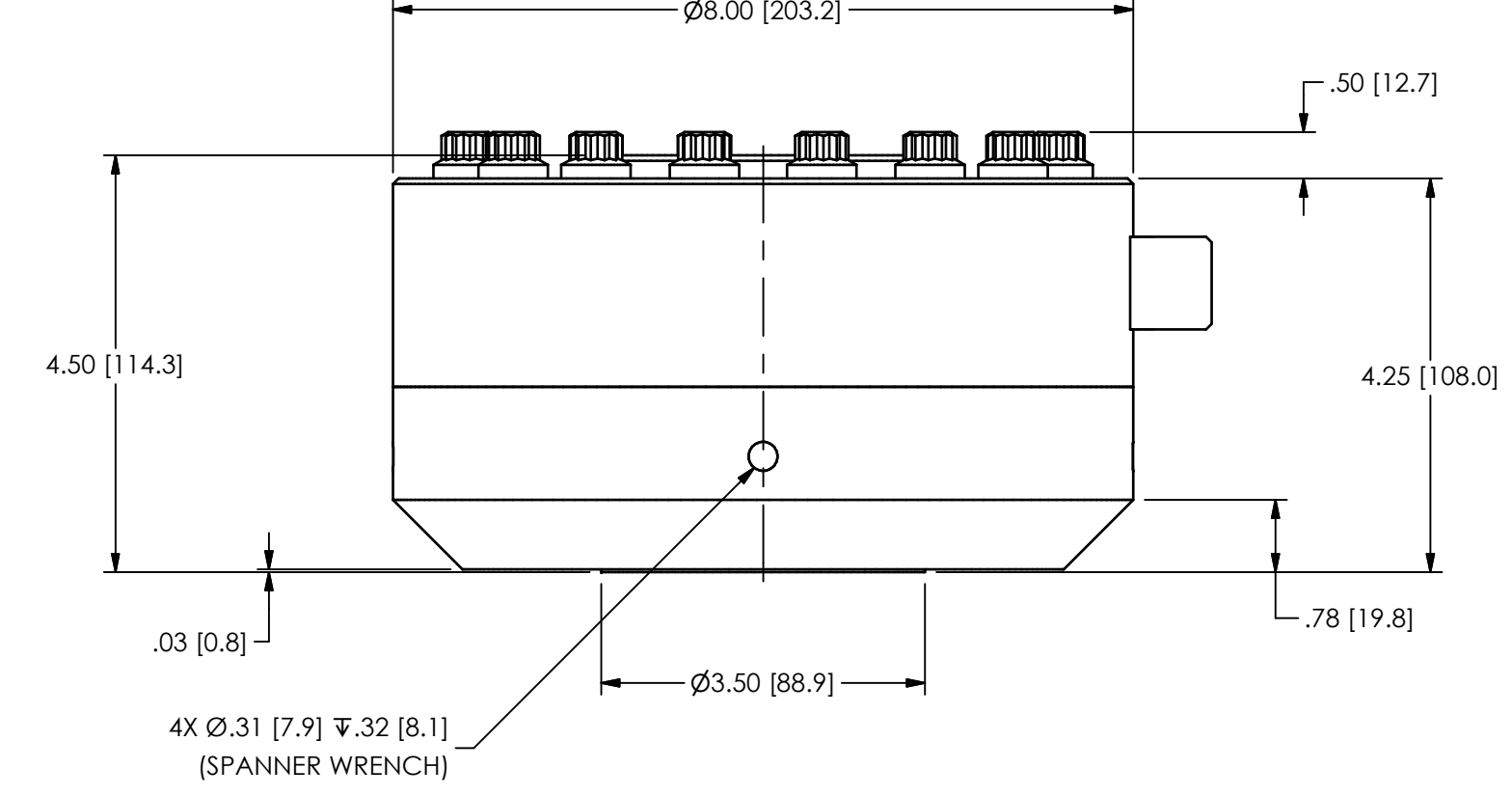
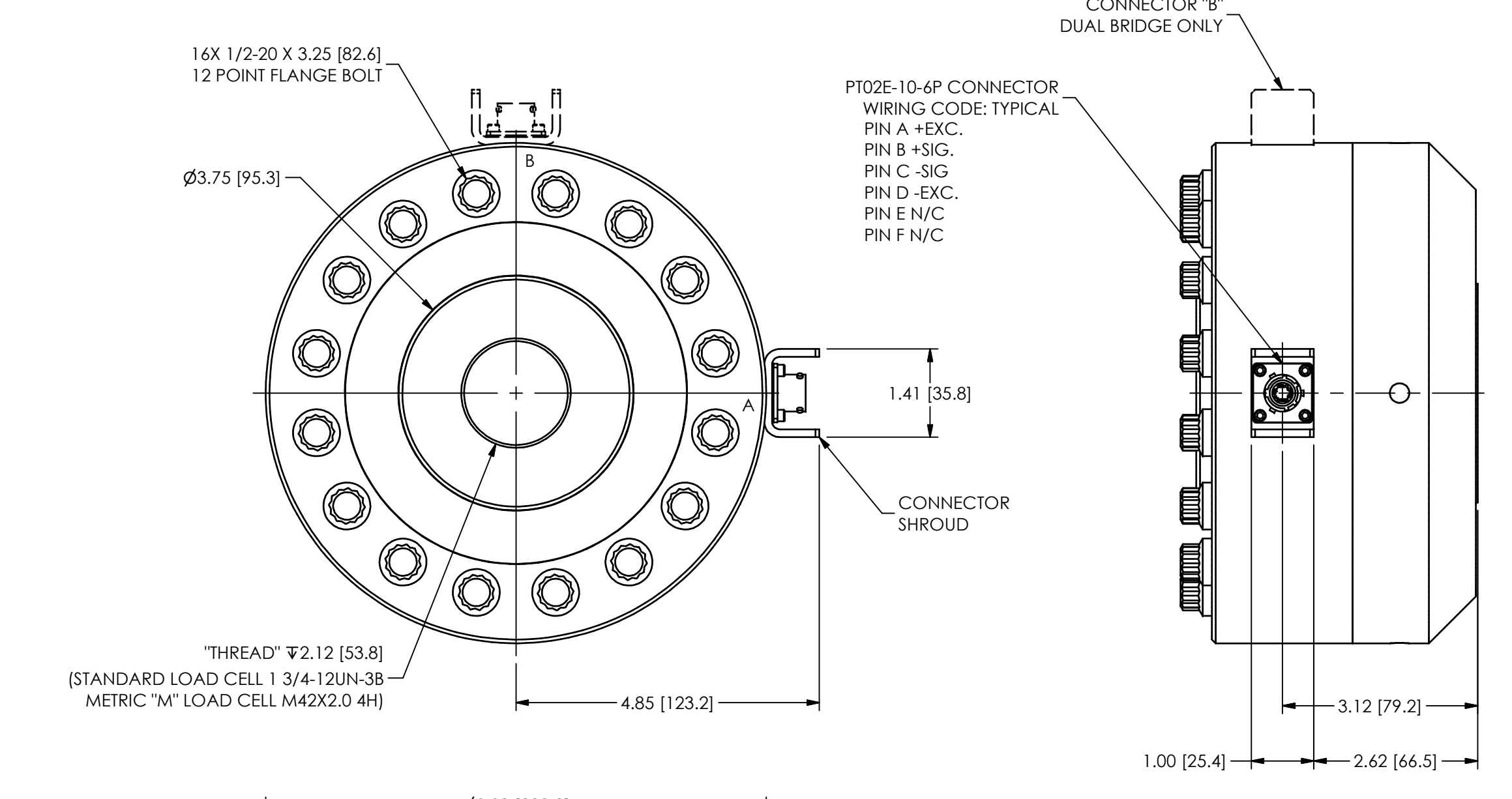


1208, M1208, 1408 AND M1408
SERIES LOAD CELLS



1208, M1208, 1408 AND M1408
SERIES BASES



1208, M1208, 1408 AND M1408
SERIES LOAD CELLS W/BASES

UNLESS OTHERWISE SPECIFIED TOLERANCES ARE:		DRAWN	CHECKED	ENGINEER	PCB LOAD & TORQUE A PCB GROUP COMPANY
DIMENSIONS IN INCHES	DIMENSIONS IN MILLIMETERS [IN BRACKETS]	PTE	DEA	PTE	
DECIMALS XX ±.01 XXX ±.005	DECIMALS X ±0.3 XX ±0.13	03.07.13	03.11.13	03.07.13	24350 Indoplex Circle, Farmington Hills, MI 48335 714) 684-0001 E-MAIL: info@pcbloadtorque.com DWG. NO. 49042
ANGLES ± 5 DEGREES	ANGLES ± 5 DEGREES	TITLE OUTLINE DRAWING 1208/1408 SERIES, PT CONNECTOR LOW PROFILE LOAD CELL			
FILETS AND RADI 0.15 MAX	FILETS AND RADI 0.38 MAX				