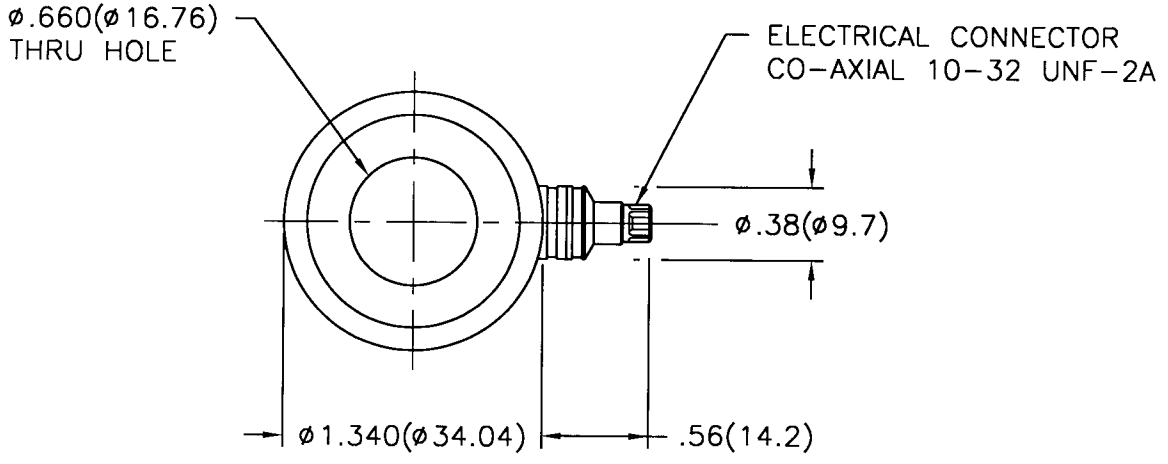


5608

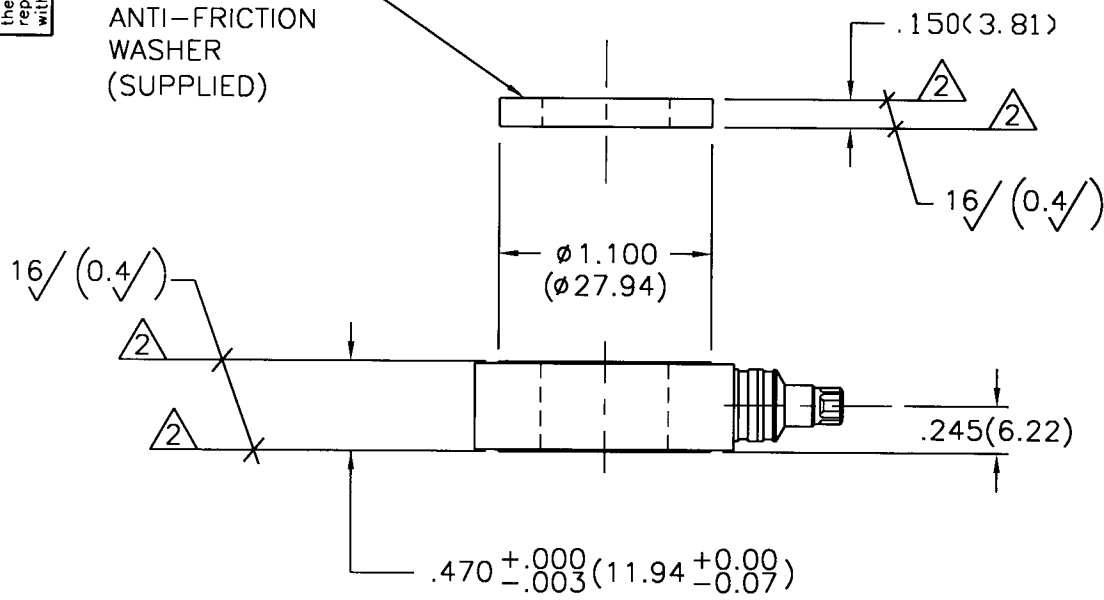
PCB Piezotronics Inc. claims proprietary rights in the information disclosed hereon. Neither it nor any reproduction thereof will be disclosed to others without written consent of PCB Piezotronics Inc.

APPLICATION		
NEXT ASS'Y	USED ON	VAR

REVISIONS				
REV	DESCRIPTION	ECN	DATE	APP'D



MODEL 082B04
ANTI-FRICTION
WASHER
(SUPPLIED)



2 THESE SURFACES TO BE FLAT AND PARALLEL TO WITHIN .001(0.03) TIR.
1.) SEE SHEET TWO FOR MOUNTING INSTRUCTIONS.

UNLESS SPECIFIED TOLERANCES		DRAWN				MFG		PCB PIEZOTRONICS, INC.	
DIMENSIONS IN INCHES	DIMENSIONS IN MILLIMETERS (IN PARENTHESIS)	CHK'D	APP'D	DATE	ENGR	DATE	3425 WALDEN AVE. DEPEW, NEW YORK 14043	PHONE: (716) 684-0001	
DECIMALS XX ± .01	DECIMALS XX ± 0.3								
XXX ± .005	XXX ± 0.13								
ANGLES ± 2 DEGREES	ANGLES ± 2 DEGREES								
FILLETS AND RADII .003 - .005	FILLETS AND RADII (0.07 - 0.13)	TITLE				CODE IDENT. NO.	DWG. NO.		
		INSTALLATION DRAWING				52681	5608		
		MODEL 204C							
		FORCE RING							
DD011 REV. A 05/26/95						SCALE: FULL		SHEET 1 OF 2	

5608

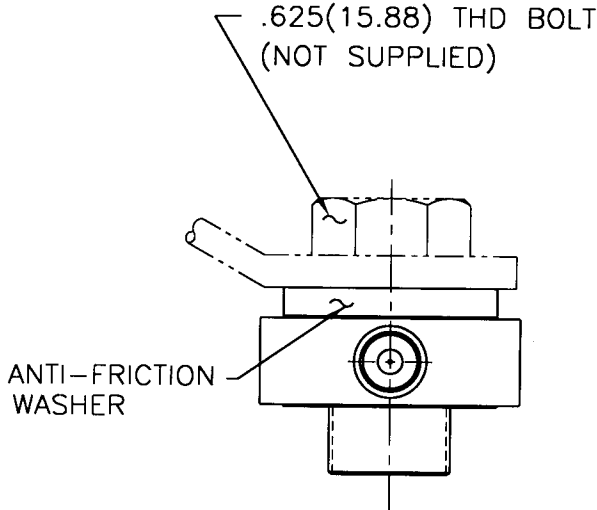
PCB Piezotronics Inc. claims proprietary rights in the information disclosed hereon. Neither it nor any reproduction thereof will be disclosed to others without written consent of PCB Piezotronics Inc.

APPLICATION

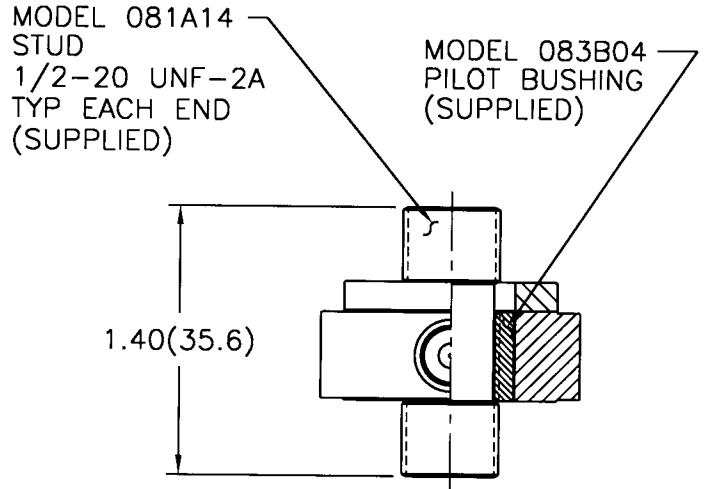
NEXT ASS'Y	USED ON	VAR

REVISIONS

REV	DESCRIPTION	ECN	DATE	APP'D
	-SEE SHEET ONE-			

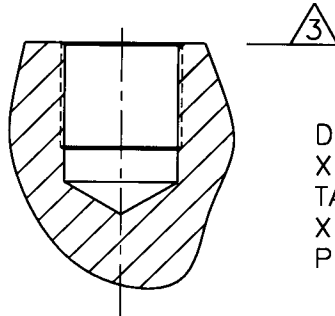


TYP BOLT MOUNTING
INSTALLATION

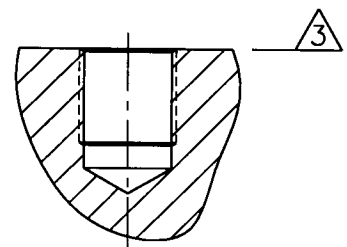


TYP STUD MOUNTING
INSTALLATION

DRILL & TAP $\Delta 4$
AS REQUIRED
FOR .625(15.88)
THD BOLT



DRILL $\phi .453(\phi 11.51)$ $\Delta 4$
X .62(15.8) $\Delta 4$
TAP 1/2-20 UNF-2B
X .50(12.7) $\Delta 4$
PERFECT THREAD



5.) SEE MANUAL FOR PRELOAD INSTRUCTIONS.

$\Delta 4$ DRILL PERPENDICULAR TO MOUNTING SURFACE TO WITHIN $\pm .001^{\circ}$.

$\Delta 3$ MOUNTING SURFACE UNDER FORCE RING MUST BE FLAT WITHIN .001(0.03) TIR WITH A $63\sqrt{1.6}$ FINISH.

UNLESS SPECIFIED TOLERANCES

DIMENSIONS IN INCHES	DIMENSIONS IN MILLIMETERS (IN PARENTHESIS)
DECIMALS XX $\pm .01$ XXX $\pm .005$	DECIMALS XX ± 0.3 XXX ± 0.13
ANGLES ± 2 DEGREES	ANGLES ± 2 DEGREES
FILLETS AND RADII .003 - .005	FILLETS AND RADII (0.07 - 0.13)

DRAWN	<i>P.S.</i>	DATE	1/6/97	MFG	<i>RTA</i>	1/6/97
CHK'D	<i>DM</i>	1/6/97	ENGR	<i>SLP</i>	1/6/97	
APP'D	<i>W.H.</i>	1/16/97	Sales	<i>SPC</i>	1/16/97	
TITLE	INSTALLATION DRAWING MODEL 204C FORCE RING					

PCB PIEZOTRONICS, INC.
3425 WALDEN AVE. DEPEW, NEW YORK 14043
PHONE: (716) 684-0001

CODE IDENT. NO. 52681	DWG. NO. 5608
--------------------------	------------------

SCALE: FULL SHEET 2 OF 2