

2

1

APPLICATION

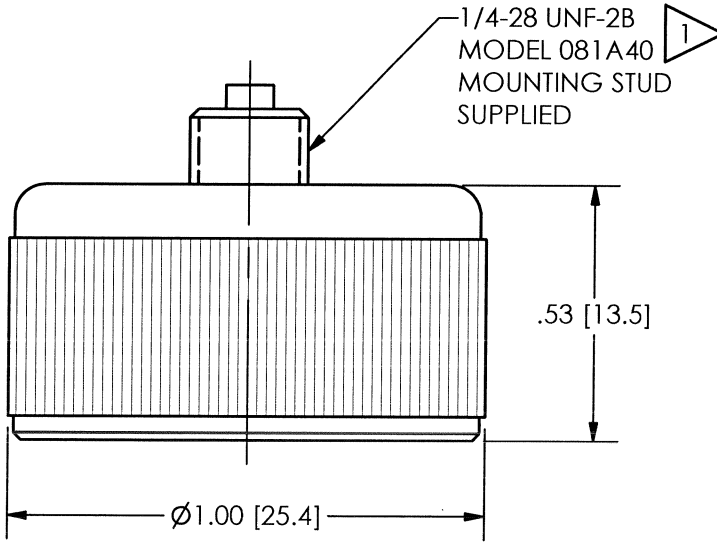
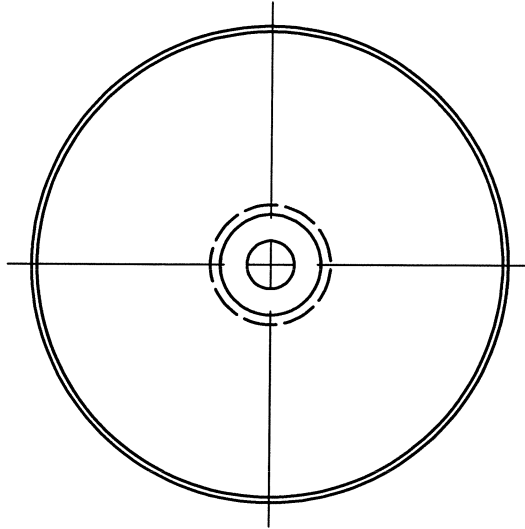
REVISIONS

NEXT ASS'Y	USED ON	VAR

REV	DESCRIPTION	ECN	APP'D
NR	RELEASED TO DRAFTING		DM 6/01
A	ADDED MOUNTING STUD	25111	ECB 10/16/06

16499

PCB Piezotronics Inc. claims proprietary rights in the information disclosed hereon. Neither it nor any reproduction thereof will be disclosed to others without the written consent of PCB Piezotronics Inc.



2.) PULL STRENGTH = 35 LBS

1 MODEL M080A121: THREAD IS M6 X 1.0 6H AND MOUNTING STUD M081A61 REPLACES 081A40.

UNLESS OTHERWISE SPECIFIED TOLERANCES ARE:

DIMENSIONS IN INCHES	DIMENSIONS IN MILLIMETERS [IN BRACKETS]
DECIMALS XX ± .03 XXX ± .010 ANGLES ± 2 DEGREES	DECIMALS X ± 0.8 XX ± 0.25 ANGLES ± 2 DEGREES

FILLET AND RADII .003 - .005	FILLET AND RADII [0.07 - 0.13]
------------------------------	----------------------------------

DRAWN <i>ECB</i> 10/16/06	MFG <i>R. D.</i> 10/16/06
CHK'D <i>ECB</i> 10/16/06	ENGR <i>MS</i> 10/16/06
APP'D <i>N.A.</i> 10/16/06	SALES <i>qrm</i> 10/16/06

TITLE
 OUTLINE DRAWING
 MODEL 080A121, M
 FLAT SURFACE MAGNET

PCB PIEZOTRONICS^{INC.}
 3425 WALDEN AVE. DEPEW, NY 14043
 (716) 684-0001 E-MAIL: sales@pcb.com

CODE IDENT. NO. 52681	DWG. NO. 16499
SCALE: 2.5X	SHEET 1 OF 1

2

1