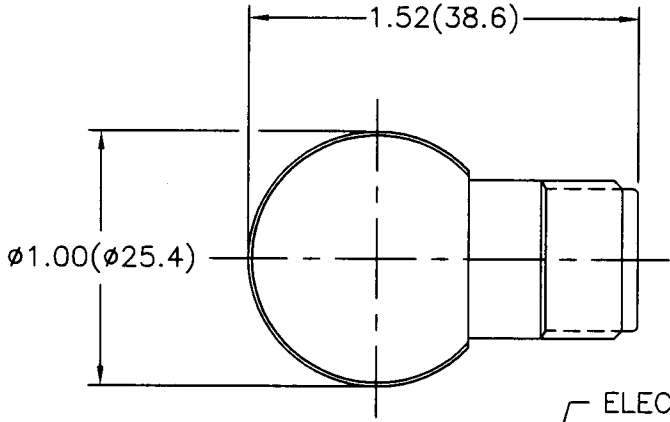


19098

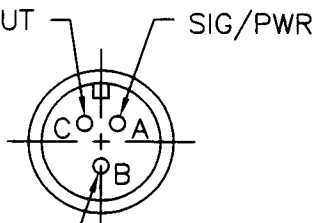
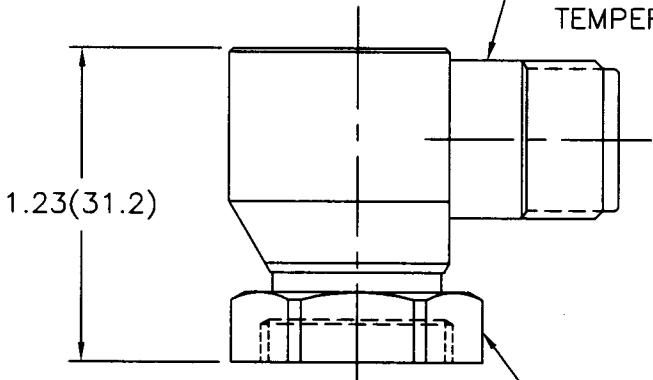
PCB Piezotronics Inc. claims proprietary rights in the information disclosed hereon. Neither it nor any reproduction thereof will be disclosed to others without written consent of PCB Piezotronics Inc.

| APPLICATION |         |     |
|-------------|---------|-----|
| NEXT ASS'Y  | USED ON | VAR |
|             |         |     |

| REVISIONS |             |     |      |       |
|-----------|-------------|-----|------|-------|
| REV       | DESCRIPTION | ECN | DATE | APP'D |
|           |             |     |      |       |

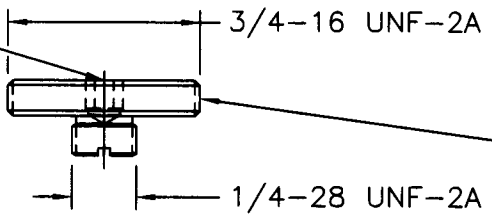


ELECTRICAL CONNECTOR  
5/8-24 UNEF-2A  
3-PIN (MIL-C-5015)



GROUND  
SIDE VIEW OF CONNECTOR

1/8" HEX ALLEN KEY REQUIRED



MOUNTING STUD  
MODEL 080A162  
(SUPPLIED)

|                               |  |                       |  |       |               |   |
|-------------------------------|--|-----------------------|--|-------|---------------|---|
| UNLESS SPECIFIED TOLERANCES   |  | DRAWN                 | MUS 4.10.02  | MFG   | S.P.D 4/17/02 | <br>3425 WALDEN AVE. DEPEW, NY 14043<br>(716) 884-0001 EMAIL: SALES@PCB.COM |
| DIMENSIONS IN INCHES          | DIMENSIONS IN MILLIMETERS (IN PARENTHESIS) | CHK'D                 | em 5/6/02  | ENGR  | 4/15/02       |   |
| DECIMALS XX ±.01<br>XXX ±.005 | DECIMALS XX ±0.3<br>XXX ±0.13              | APP'D                 | N.F 5/14/02  | SALES | 8/5/02        |   |
| ANGLES ±2 DEGREES             | ANGLES ±2 DEGREES                          | TITLE                 | OUTLINE DRAWING<br>MODEL T0607A01<br>ACCELEROMETER |       |               | CODE IDENT. NO. 52681<br>DWG. NO. 19098                                     |
| FILLET AND RADII .003 - .005  | FILLET AND RADII (0.07 - 0.13)             | DD011 REV. B 03/13/98 |  |       |               | SCALE: 1.33 : 1 SHEET 1 OF 1  |