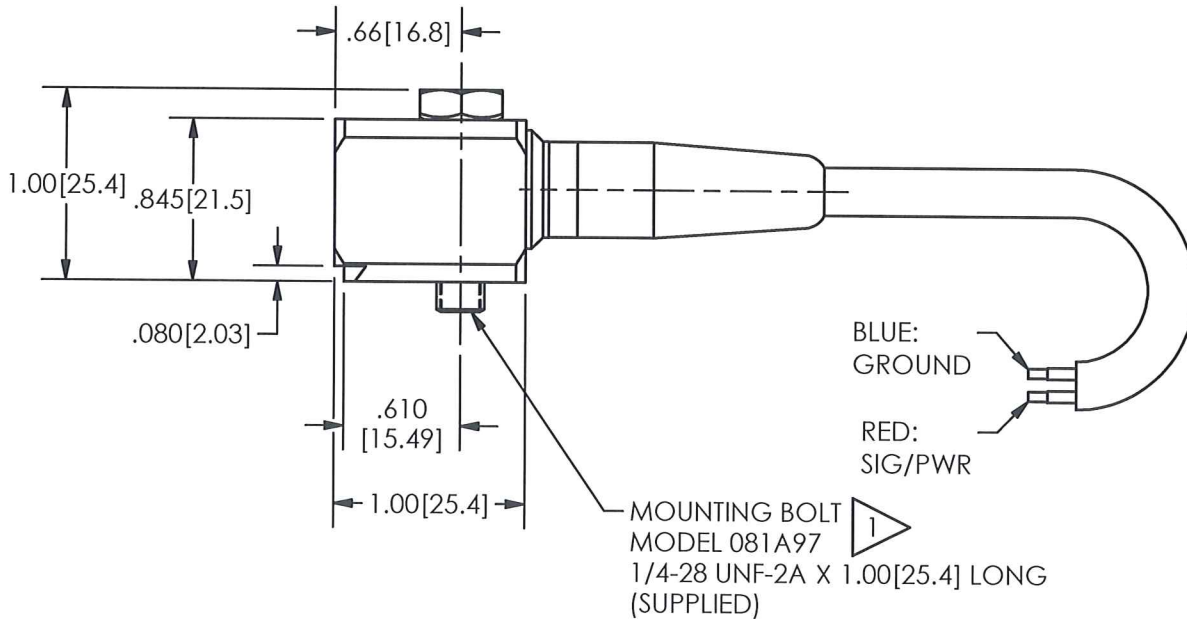
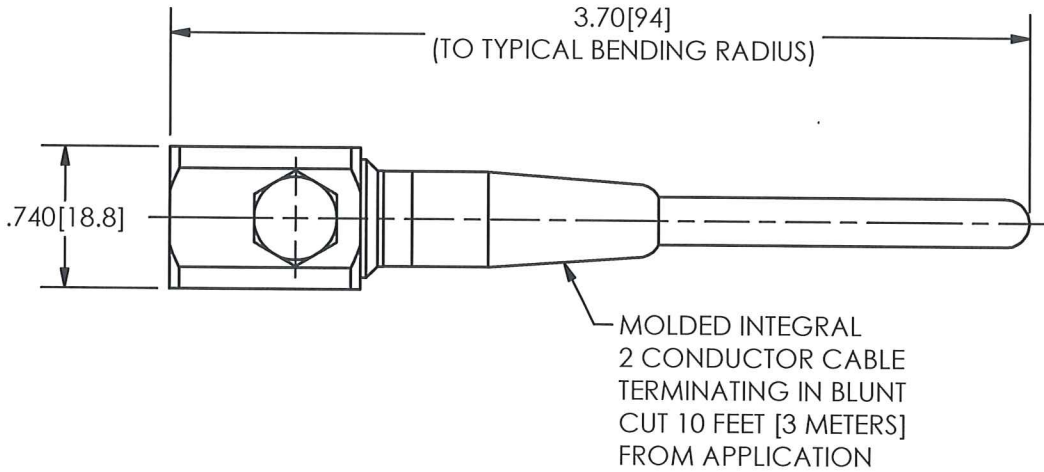


PCB Piezotronics Inc. claims proprietary rights in the information disclosed hereon. Neither it nor any reproduction thereof will be disclosed to others without the written consent of PCB Piezotronics Inc.

1		
REVISIONS		
REV	DESCRIPTION	DIN
A	REMOVED MODEL NUMBER	37965

30084



1 FOR METRIC ACCELEROMETER (MODEL M602D11) USE MOUNTING BOLT MODEL M081A97, M6 X 1.00-6g X 1.00 [25.4] LONG.

UNLESS OTHERWISE SPECIFIED TOLERANCES ARE:		DRAWN	CHECKED	ENGINEER	
DIMENSIONS IN INCHES	DIMENSIONS IN MILLIMETERS [IN BRACKETS]	JDM	1/4/12	JDK	
DECIMALS XX ±.03 XXX ±.010	DECIMALS X ±0.8 XX ±0.25	TITLE			CODE IDENT. NO. 52681
ANGLES ± 2 DEGREES	ANGLES ± 2 DEGREES	OUTLINE DRAWING ACCELEROMETER			DWG. NO. 30084
FILLETS AND RADII .003 - .005	FILLETS AND RADII 0.07 - 0.13				SCALE: FULL SHEET 1 OF 1

2



1