

PCB Piezotronics Inc. claims proprietary rights in the information disclosed hereon. Neither it nor any reproduction thereof will be disclosed to others without the written consent of PCB Piezotronics Inc.

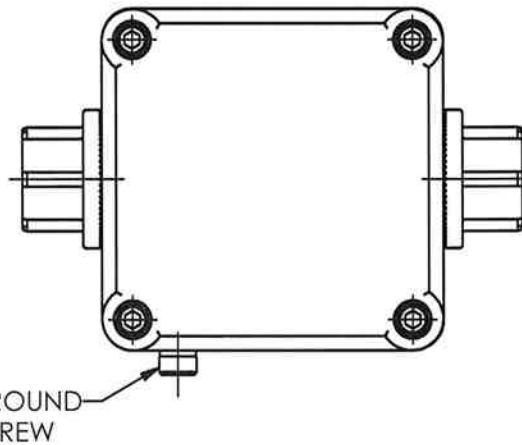
REVISIONS

REV	DESCRIPTION	ECO
A	REPLACED CONDUIT HUBS	27505
B	CHANGED TITLE	30633

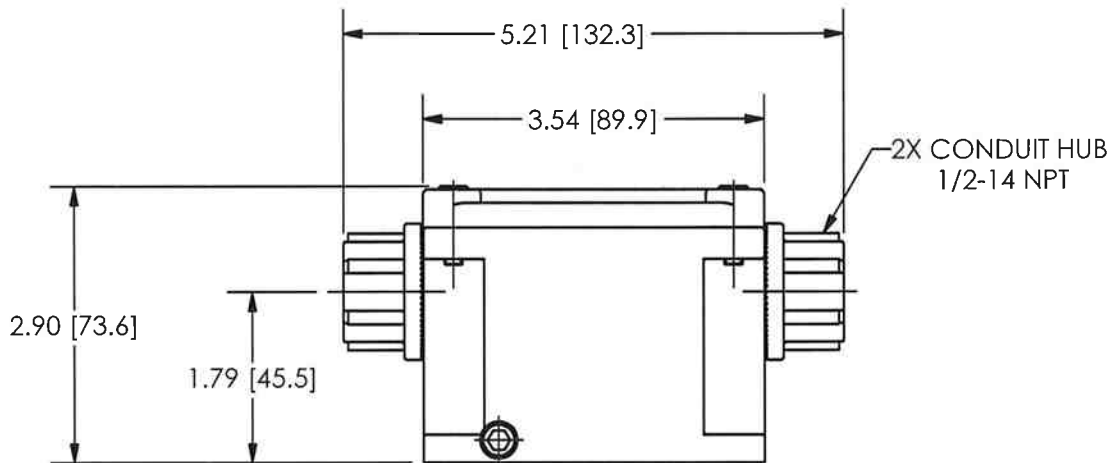
38777

RELATED DRAWING

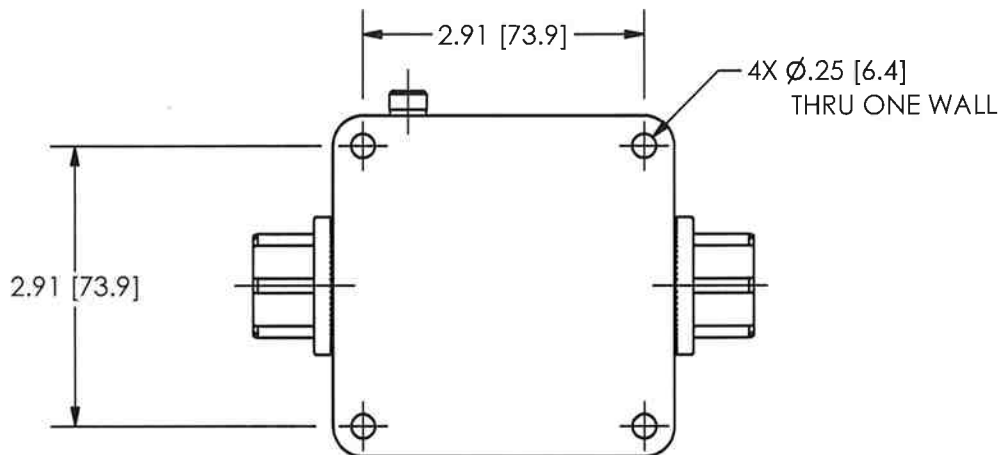
NO MODIFICATIONS PERMITTED WITHOUT THE APPROVAL OF THE AUTHORIZED PERSON



GROUND SCREW



2X CONDUIT HUB
1/2-14 NPT



4X Ø.25 [6.4]
THRU ONE WALL

UNLESS OTHERWISE SPECIFIED TOLERANCES ARE:

DIMENSIONS IN INCHES

DIMENSIONS IN MILLIMETERS
[IN BRACKETS]

DECIMALS XX ±.03
XXX ±.010

DECIMALS X ± 0.8
XX ± 0.25

ANGLES ± 2 DEGREES

ANGLES ± 2 DEGREES

FILLETS AND RADII
.003 - .005

FILLETS AND RADII
[0.07 - 0.13]

DRAWN	SMB	5/5/09	MFG	JR	10/16/07
CHK'D	ECB	5/5/09	ENGR	MJN	5/5/09
APP'D	EB	5/5/09	SALES	JJ	10/16/07

TITLE
OUTLINE DRAWING
MODEL 685BXXXXA11
ELECTRONIC VIBRATION SWITCH



3425 WALDEN AVE. DEPEW, NY 14043
(716) 684-0001 E-MAIL: sales@pcb.com

CODE IDENT. NO. 52681
DWG. NO. 38777

SCALE: .5X SHEET 1 OF 1