

106-2500-92

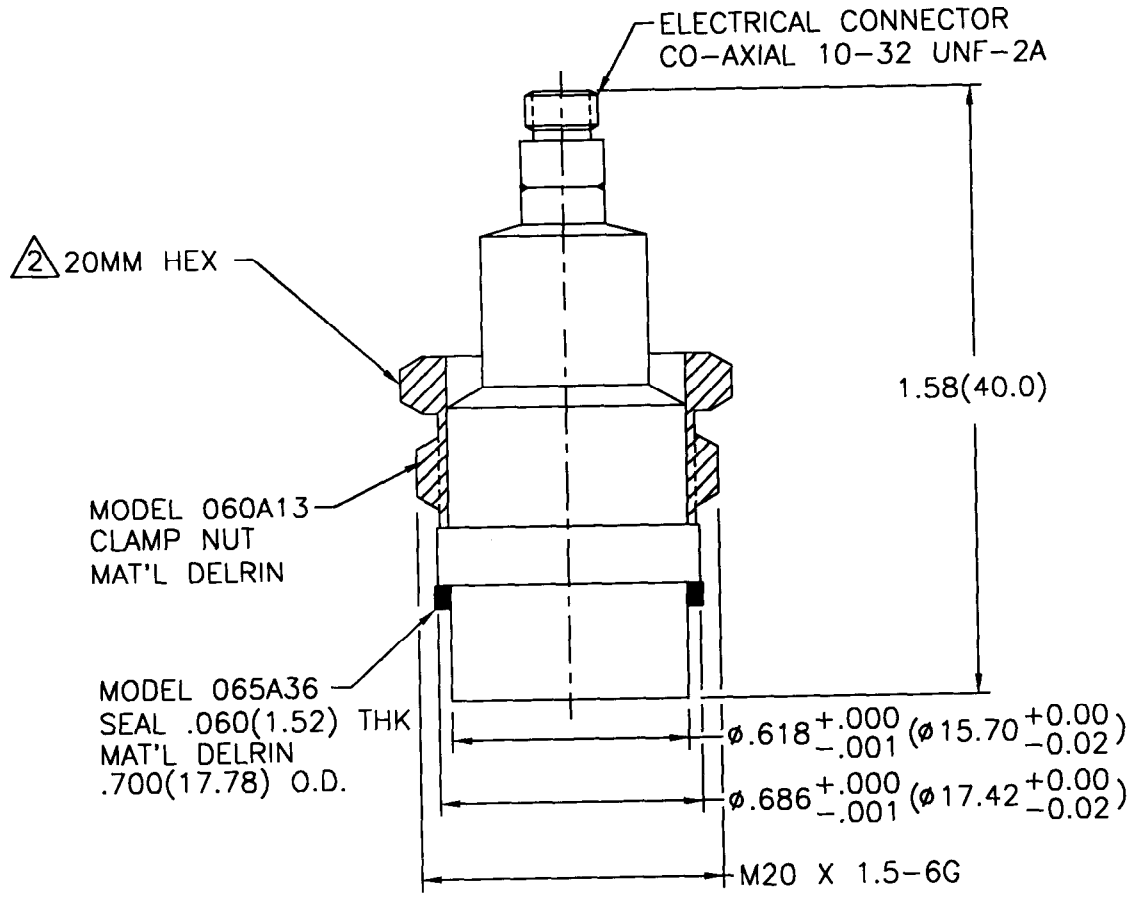
PCB Piezotronics Inc. claims proprietary rights in the information disclosed hereon. Neither it, nor any reproduction thereof will be disclosed to others without written consent of PCB Piezotronics Inc.

APPLICATION

NEXT ASS'Y	USED ON	VAR

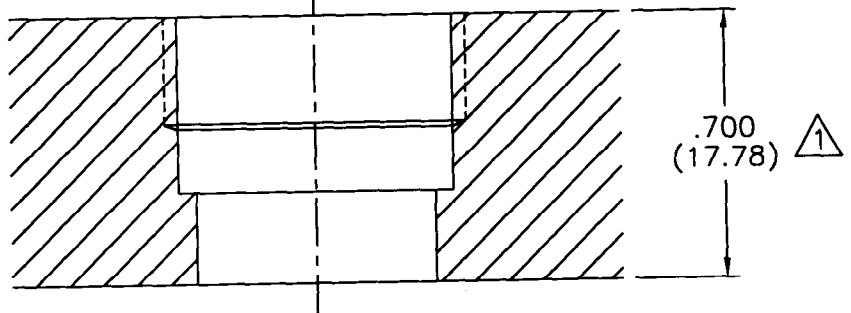
REVISIONS

REV	DESCRIPTION	ECN	DATE	APP'D
C	REVISED PER ECN	8320	10/14/97	Ken L.



MOUNTING HOLE PREPARATION

- DRILL  $\phi 0.625(\phi 15.88)$
- THRU
- $\square \phi 0.718(\phi 18.24)$
- X  $.460(11.68) \nabla$
- TAP M20-1.50-6H
- X  $.28(7.11) \nabla$



- $\triangle 2$  RECOMMENDED MOUNTING TORQUE ON 20MM HEX 3-5 FT LBS. (.415-.691 METER KILOGRAMS)
- $\triangle 1$  DIMENSIONS SHOWN ARE FOR .700(17.78) THICK WALL. COUNTERBORE THICKER WALLS.

UNLESS SPECIFIED TOLERANCES		DRAWN	TW	10/14/97	MFG	Dec	10/14/97	<b>PCB</b> PIEZOTRONICS, INC. 3425 WALDEN AVE. DEPEW, NEW YORK 14043 PHONE: (716) 684-0001
DIMENSIONS IN INCHES	DIMENSIONS IN MILLIMETERS (IN PARENTHESIS)	CHK'D	Ken L.	10/14/97	ENGR	ACT	10/14/97	
DECIMALS XX $\pm 0.01$ XXX $\pm 0.005$	DECIMALS XX $\pm 0.3$ XXX $\pm 0.13$	APP'D	Ken L.	10/14/97	SAN	Ken L.	10/14/97	CODE IDENT. NO. 52681
ANGLES $\pm 2$ DEGREES	ANGLES $\pm 2$ DEGREES	TITLE						DWG. NO.
FILLETS AND RADII .003 - .005	FILLETS AND RADII (0.07 - 0.13)	INSTALLATION DRAWING MODEL M106B50 OFF-GND PRESSURE SENSOR						106-2500-92
DD011 REV. A 05/26/95								SCALE: 2X SHEET 1 OF 1