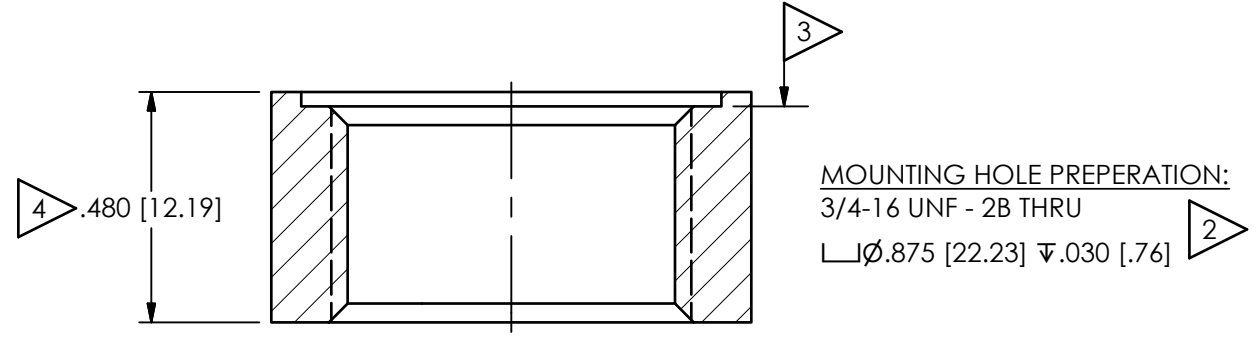
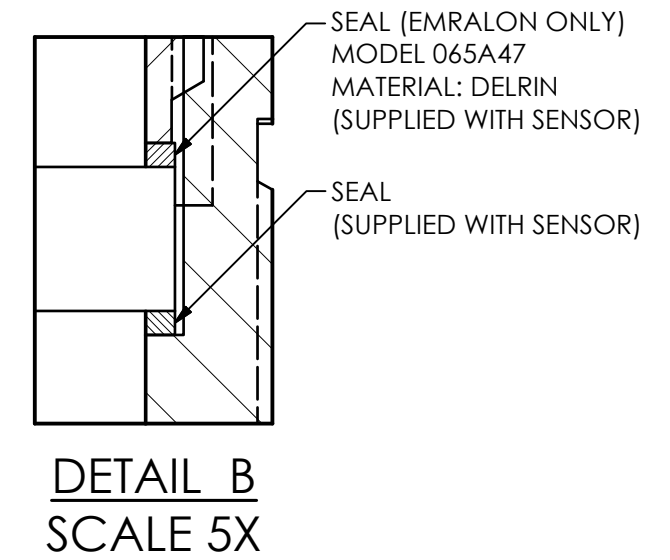
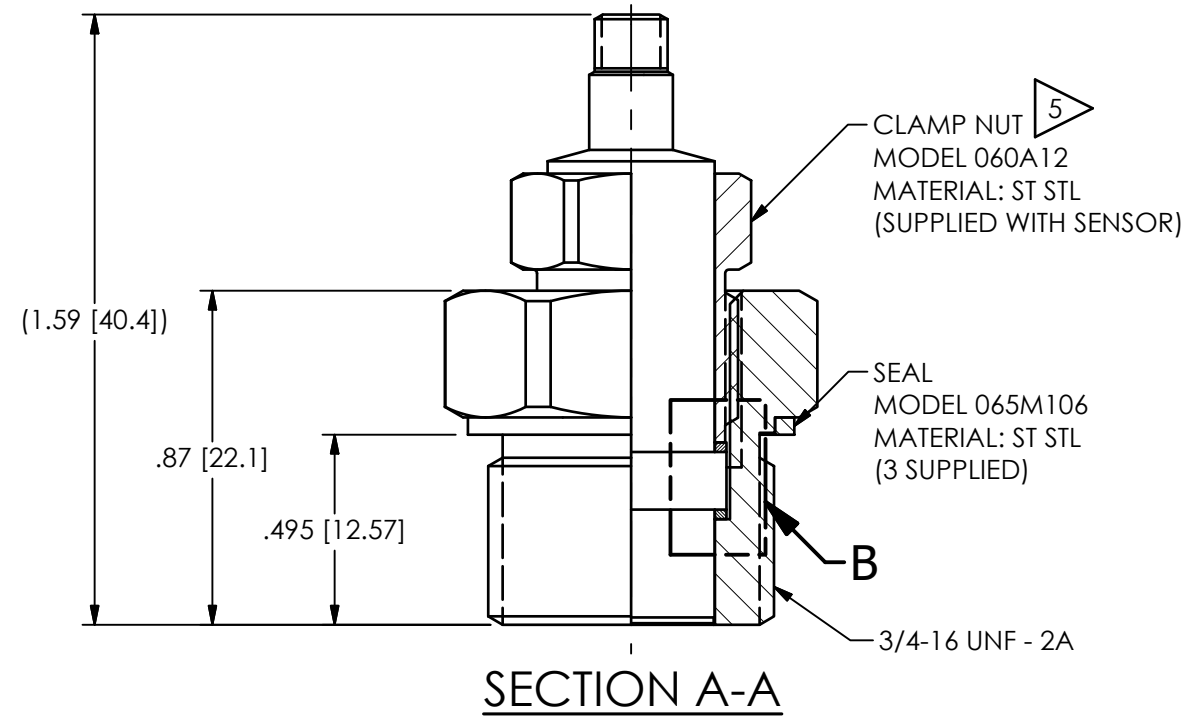
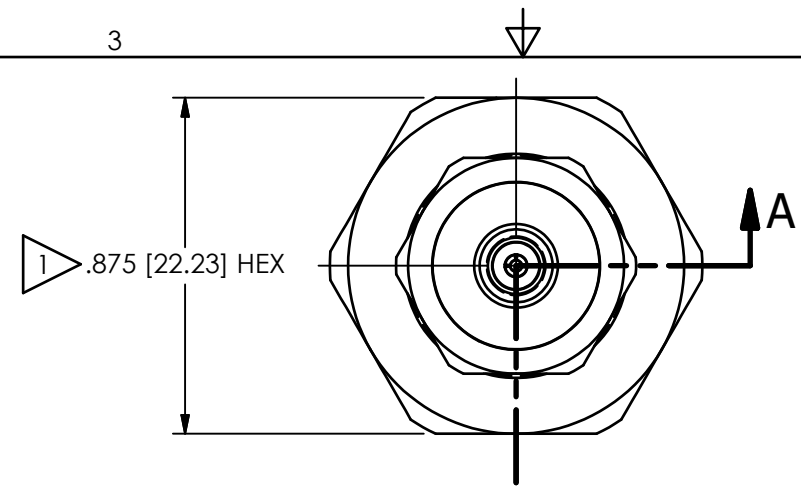


PCB Piezotronics Inc. claims proprietary rights in the information disclosed hereon. Neither it nor any reproduction thereof will be disclosed to others without the written consent of PCB Piezotronics Inc.

6063

REVISIONS		
REV	DESCRIPTION	DIN
D	MODEL 065M106 WAS 065A106	51741



- 5 MOUNTING TORQUE ON 9/16 HEX, 5-6 ft-lbs [.691-.830 M KG]
- 4 DIMENSIONS SHOWN ARE FOR .480 [12.19] THICK WALL COUNTERBORE THICKER WALLS
- 3 SEAL SURFACE SHOULD BE FLAT AND FREE OF TOOLS MARKS WITH A 63 FINISH
- 2 DRILL PERPENDICULAR TO MOUNTING SURFACE TO WITHIIN ±1°
- 1 RECOMMENDED MOUNTING TORQUE ON .875 [22.23] HEX 7-8 ft-lbs [10-11 Nm]

UNLESS OTHERWISE SPECIFIED TOLERANCES ARE:		DRAWN		CHECKED		ENGINEER	
DIMENSIONS IN INCHES	DIMENSIONS IN MILLIMETERS [IN BRACKETS]	JJF	5/3/21	JJF	5/3/21	RF	5/3/21
DECIMALS XX ±.01 XXX ±.005	DECIMALS X ±.03 XX ±.013	TITLE INSTALLATION DRAWING MODEL 061A60 THREAD ADAPTOR					
ANGLES ± 2 DEGREES	ANGLES ± 2 DEGREES						
FILLETS AND RADII .003 - .005	FILLETS AND RADII 0.07 - 0.13	CODE IDENT. NO. 52681		DWG. NO. 6063		3425 WALDEN AVE. DEPEW, NY 14043 (716) 684-0001 E-MAIL: sales@pcb.com	
		SCALE: 2X		SHEET 1 OF 1			

