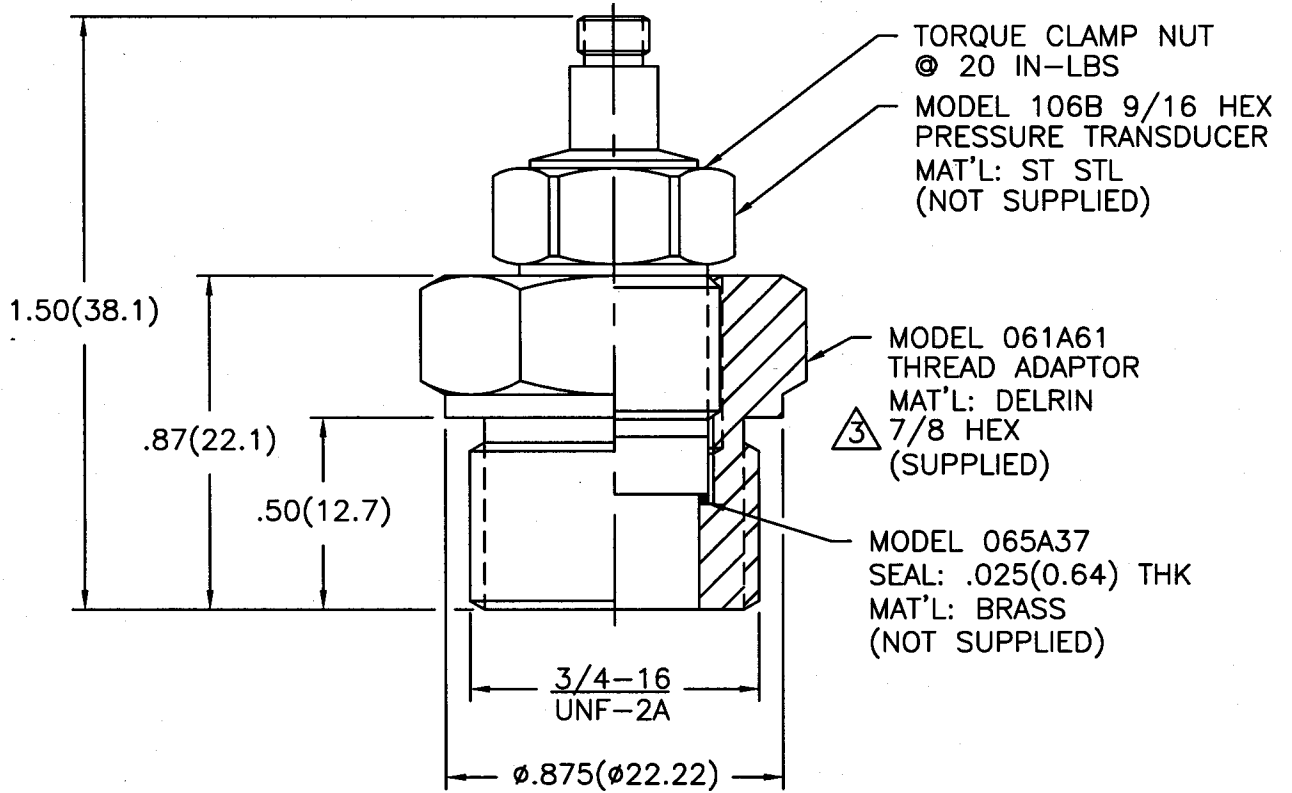


6066

PCB Piezotronics Inc. claims proprietary rights in the information disclosed herein. Neither it nor any reproduction thereof will be disclosed to others without written consent of PCB Piezotronics Inc.

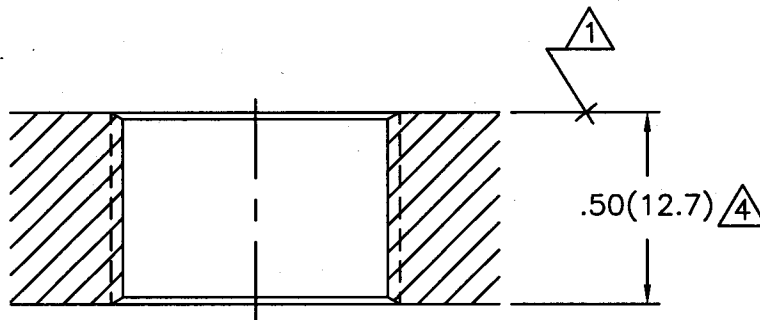
APPLICATION		
NEXT ASS'Y	USED ON	VAR

REVISIONS				
REV	DESCRIPTION	ECN	DATE	APP'D
A	REVISED PER ECR	21359	12/29/04	dm1/07



MOUNTING HOLE PREPARATION

Ø.687 ²
THRU
TAP 3/4-16 UNF-2B
THRU



- ⁴ DIMENSIONS SHOWN ARE FOR .50(12.7) THK WALL C'BORE FOR THICKER WALLS.
- ³ RECOMMENDED MOUNTING TORQUE ON 7/8 HEX 16-20 IN LBS.
- ² DRILL PERPENDICULAR TO MOUNTING SURFACE TO WITHIN ±1'.
- ¹ SEAL SURFACE MUST BE FLAT & FREE OF TOOL MARKS WITH A MIN FINISH OF 63/(1.6)/.

UNLESS SPECIFIED TOLERANCES		DRAWN				MFG		PCB PIEZOTRONICS™	
DIMENSIONS IN INCHES	DIMENSIONS IN MILLIMETERS [IN BRACKETS]	ECB	12/29/04	AS4	1/3/05	3425 WALDEN AVE. DEPEW, NY 14043	7(16) 684-0001 EMAIL: SALES@PCB.COM		
DECIMALS XX ±.03	DECIMALS X ±0.8	CHK'D	DM	ENGR	1/3/05				
XXX ±.010	XX ±0.25	APP'D	RF	SALES	DPC	1/4/05	CODE	DWG. NO.	6066
ANGLES ±2 DEGREES	ANGLES ±2 DEGREES	TITLE				IDENT. NO.	52681	SCALE: 2X	
FILLETS AND RADII .003 - .005	FILLETS AND RADII [0.07 - 0.13]	INSTALLATION DRAWING MODEL 061A61 THREAD ADAPTOR							
DD011 REV. C 01/21/03									