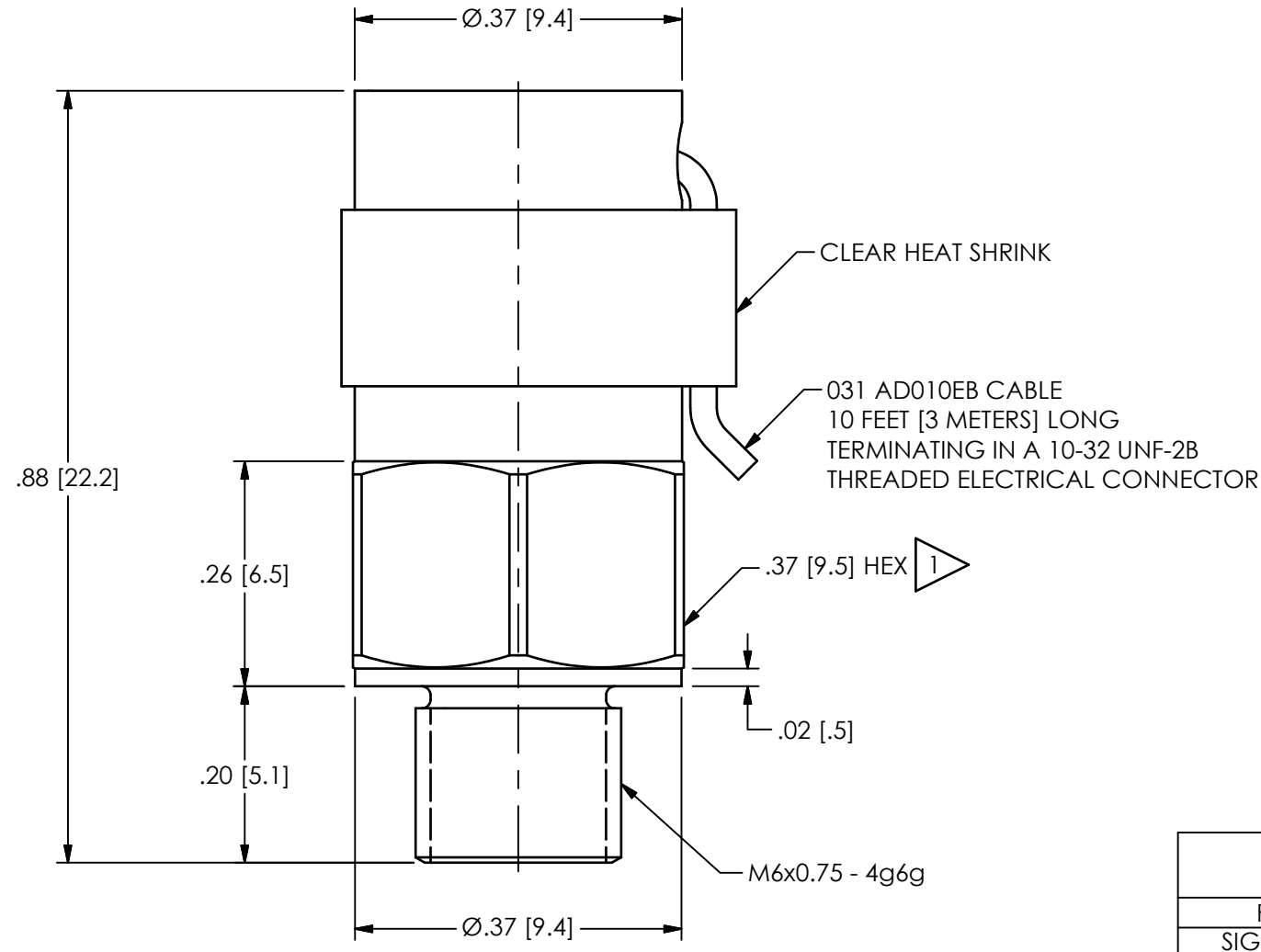


PCB Piezotronics Inc. claims proprietary rights in the information disclosed hereon. Neither it nor any reproduction thereof will be disclosed to others without the written consent of PCB Piezotronics Inc.

11672

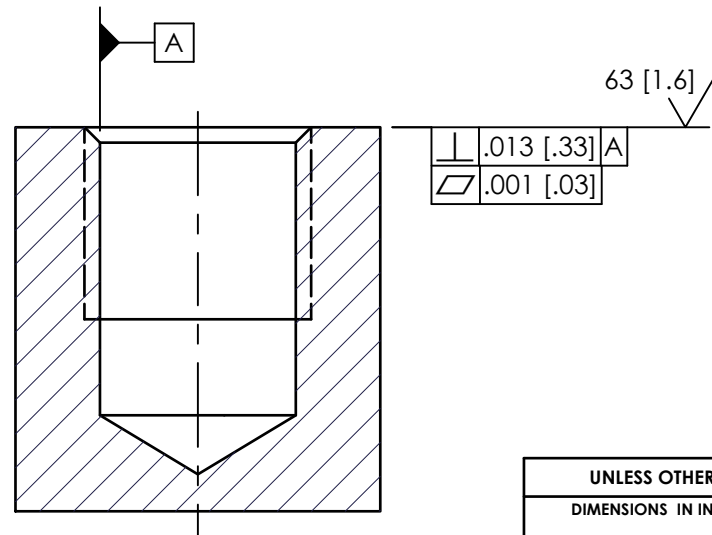
REVISIONS

REV	DESCRIPTION	DIN
J	MOUNTING HOLE PREP: [5.3] WAS [5.9]	46415



PIN OUTS 4			
FUNCTION	031	032	EB
SIGNAL/ POWER	RED	WHITE	CENTER PIN
GROUND	WHITE	BLACK	SHELL
CASE	N/A	SHIELD/GREEN OR WHITE WITH BLACK STRIPE	N/A

MOUNTING HOLE PREPARATION:
 $\varnothing.21$ [5.3] $\nabla.30$ [7.6] MIN
 M6 X 0.75-6H $\nabla.20$ [5.1] MIN



1 RECOMMENDED MOUNTING TORQUE ON .37 [9.5] HEX 2.5-4 ft lbs [2.8-3.4 Nm]

UNLESS OTHERWISE SPECIFIED TOLERANCES ARE:		DRAWN		CHECKED		ENGINEER	
DIMENSIONS IN INCHES	DIMENSIONS IN MILLIMETERS [IN BRACKETS]	KRM	1/31/17	ECB	1/31/17	BAM	1/31/17
DECIMALS XX ±.01 XXX ±.005	DECIMALS X ±.03 XX ±.013	TITLE INSTALLATION DRAWING METRIC MECHANICALLY FILTERED SHOCK ACCELEROMETER					
ANGLES ± 2 DEGREES	ANGLES ± 2 DEGREES						
FILLETS AND RADII .003 - .005	FILLETS AND RADII 0.07 - 0.13	CODE IDENT. NO. 52681		DWG. NO. 11672		SCALE: 5X SHEET 1 OF 1	

PCB PIEZOTRONICS INC.
 3425 WALDEN AVE. DEPEW, NY 14043
 (716) 684-0001 E-MAIL: sales@pcb.com