

12918

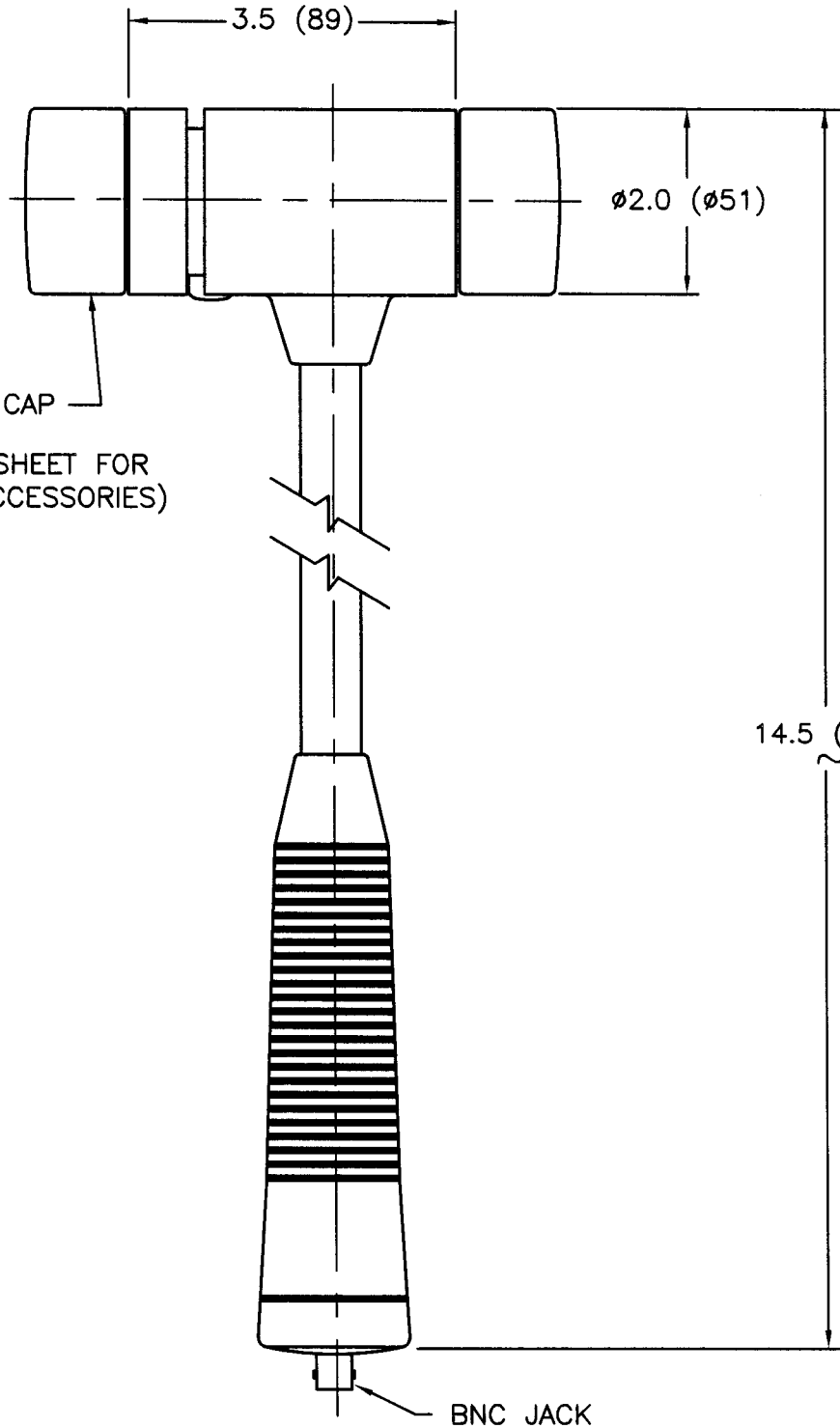
PCB Piezotronics Inc. claims proprietary rights in the information disclosed hereon. Neither it nor any reproduction thereof will be disclosed to others without written consent of PCB Piezotronics Inc.

APPLICATION

NEXT ASS'Y	USED ON	VAR

REVISIONS

REV	DESCRIPTION	ECN	DATE	APP'D
A	UPDATED DRAWING	14694	5/2/02	<i>ams/jr</i>



REMOVEABLE IMPACT CAP
TYPICAL EACH END
(SEE SPECIFICATION SHEET FOR
LIST OF SUPPLIED ACCESSORIES)

BNC JACK

UNLESS SPECIFIED TOLERANCES

DIMENSIONS IN INCHES	DIMENSIONS IN MILLIMETERS (IN PARENTHESIS)
DECIMALS XX ±.01	DECIMALS XX ±0.3
XXX ±.005	XXX ±0.13
ANGLES ±2 DEGREES	ANGLES ±2 DEGREES

FILLETS AND RADII .003 - .005	FILLETS AND RADII (0.07 - 0.13)
----------------------------------	------------------------------------

DRAWN <i>ams/jr</i>	MFG <i>AP</i>	<i>5/8/02</i>
CHK'D <i>asm</i>	ENGR <i>APC</i>	<i>5/8/02</i>
APP'D <i>W/Smith</i>	SALES <i>wax</i>	<i>5/8/02</i>

TITLE
OUTLINE DRAWING
MODEL 086D20 SERIES
IMPULSE HAMMER

PCB PIEZOTRONICS™
3425 WALDEN AVE. DEPEW, NY 14043
(716) 684-0001 EMAIL: SALES@PCB.COM

CODE IDENT. NO. 52681	DWG. NO. 12918
--------------------------	-------------------

SCALE: .5X SHEET 1 OF 1