

| APPLICATION |         |     |
|-------------|---------|-----|
| NEXT ASS'Y  | USED ON | VAR |

PCB Piezotronics Inc. claims proprietary rights in the information disclosed hereon. Neither it nor any reproduction thereof will be disclosed to others without written consent of PCB Piezotronics Inc.

| REVISIONS |     |                 |       |          |               |
|-----------|-----|-----------------|-------|----------|---------------|
| ZONE      | REV | DESCRIPTION     | ECN   | DATE     | APP'D         |
|           | B   | REVISED PER ECN | 20853 | 10/18/04 | <i>dmw/je</i> |

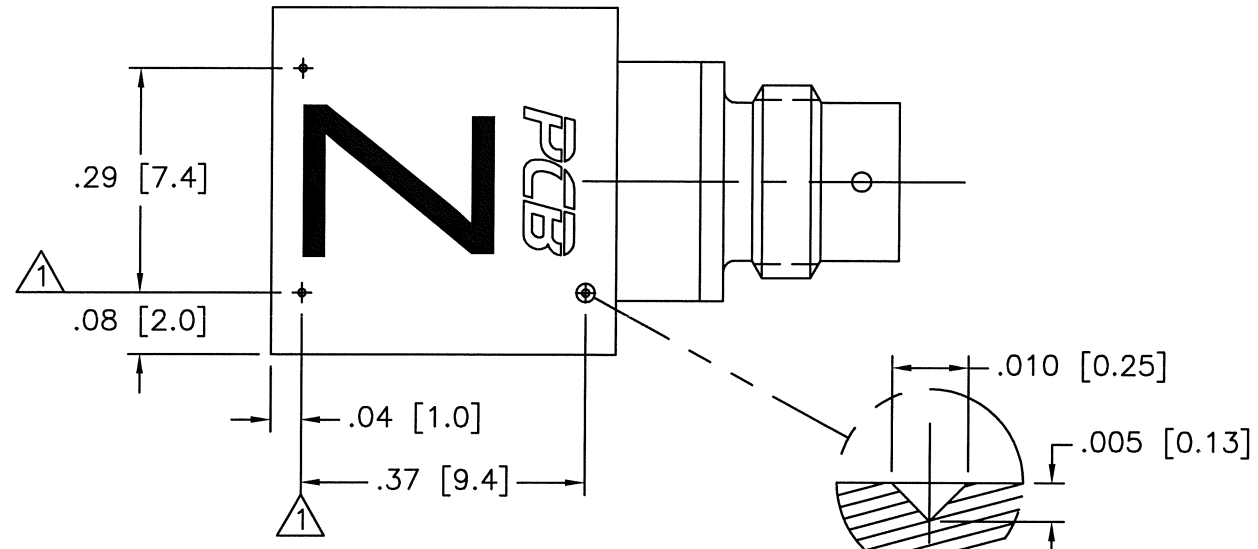
21176

D

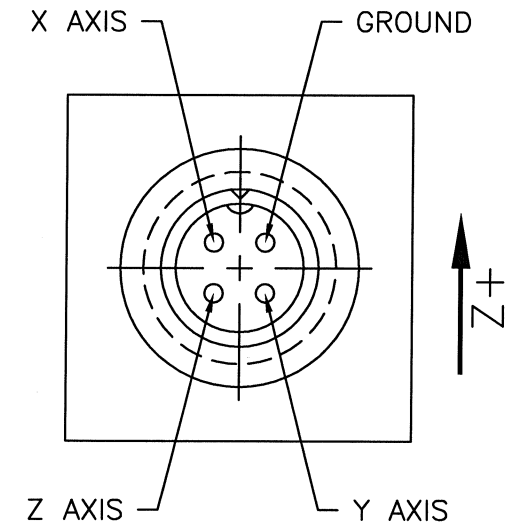
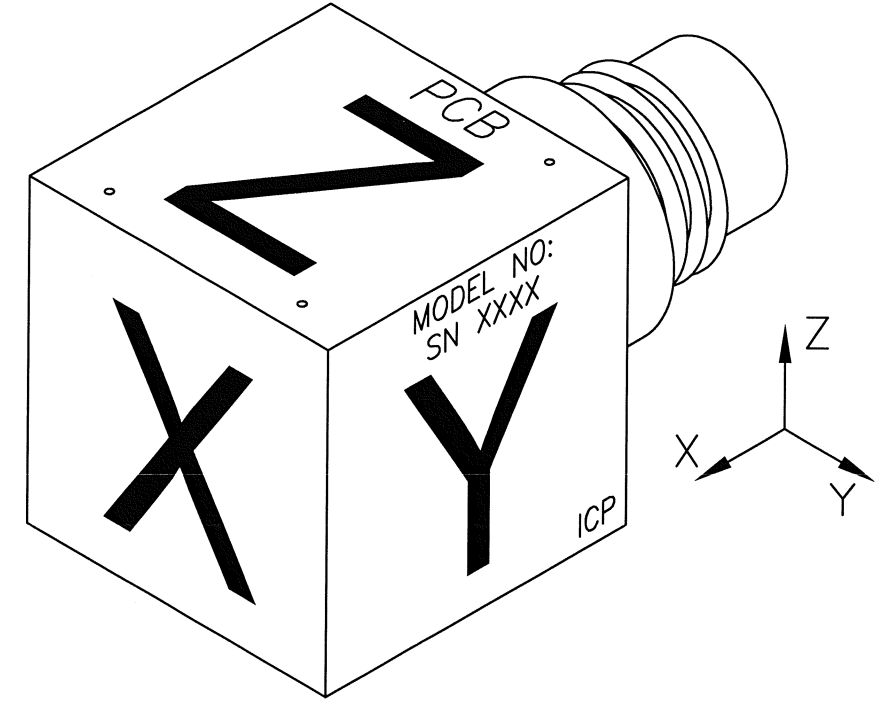
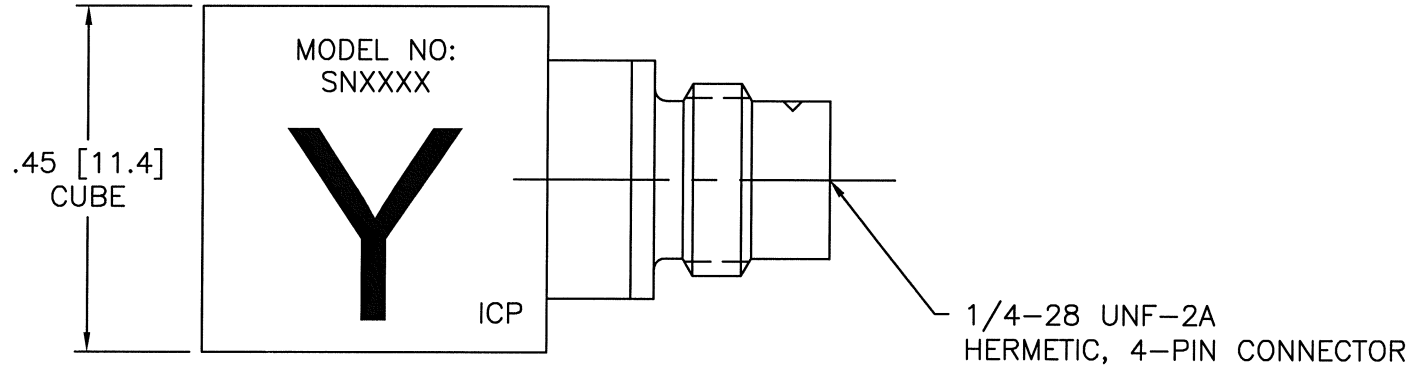
C

B

A



DETAIL "A"  
SCALE 10X



△ TEDS OPTIONS ONLY.

| UNLESS SPECIFIED TOLERANCES   |   | DRAWN   |           | MFG        |                 | PCB PIEZOTRONICS™   |          |
|-------------------------------|---|---|-----------|------------|-----------------|---|----------|
| DIMENSIONS IN INCHES          | DIMENSIONS IN MILLIMETERS [IN BRACKETS] | <i>DM</i>   | <i>DM</i> | <i>JEZ</i> | <i>10/19/04</i> | 3425 WALDEN AVE. DEPEW, NY 14043<br>(716) 684-0001 EMAIL: SALES@PCB.COM |          |
| DECIMALS XX ±.03<br>XXX ±.010 | DECIMALS X ±0.8<br>XX ±0.25             | CHK'D   | <i>DM</i> | ENGR       | <i>JEZ</i>      | CODE  | DWG. NO. |
| ANGLES ±2 DEGREES             | ANGLES ±2 DEGREES                       | APP'D   | <i>DM</i> | SALES      | <i>JEZ</i>      | 52681   | 21176    |
| FILLETS AND RADII .003 - .005 | FILLETS AND RADII [0.07 - 0.13]         | TITLE   |           |            |                 | SCALE: 4X SHEET 1 OF 1  |          |
| DD012 REV. C 01/21/03         |   | .45" CUBE W/ 1/4-28 4-PIN CONNECTOR<br>TRIAxIAL ACCELEROMETER |           |            |                 |   |          |