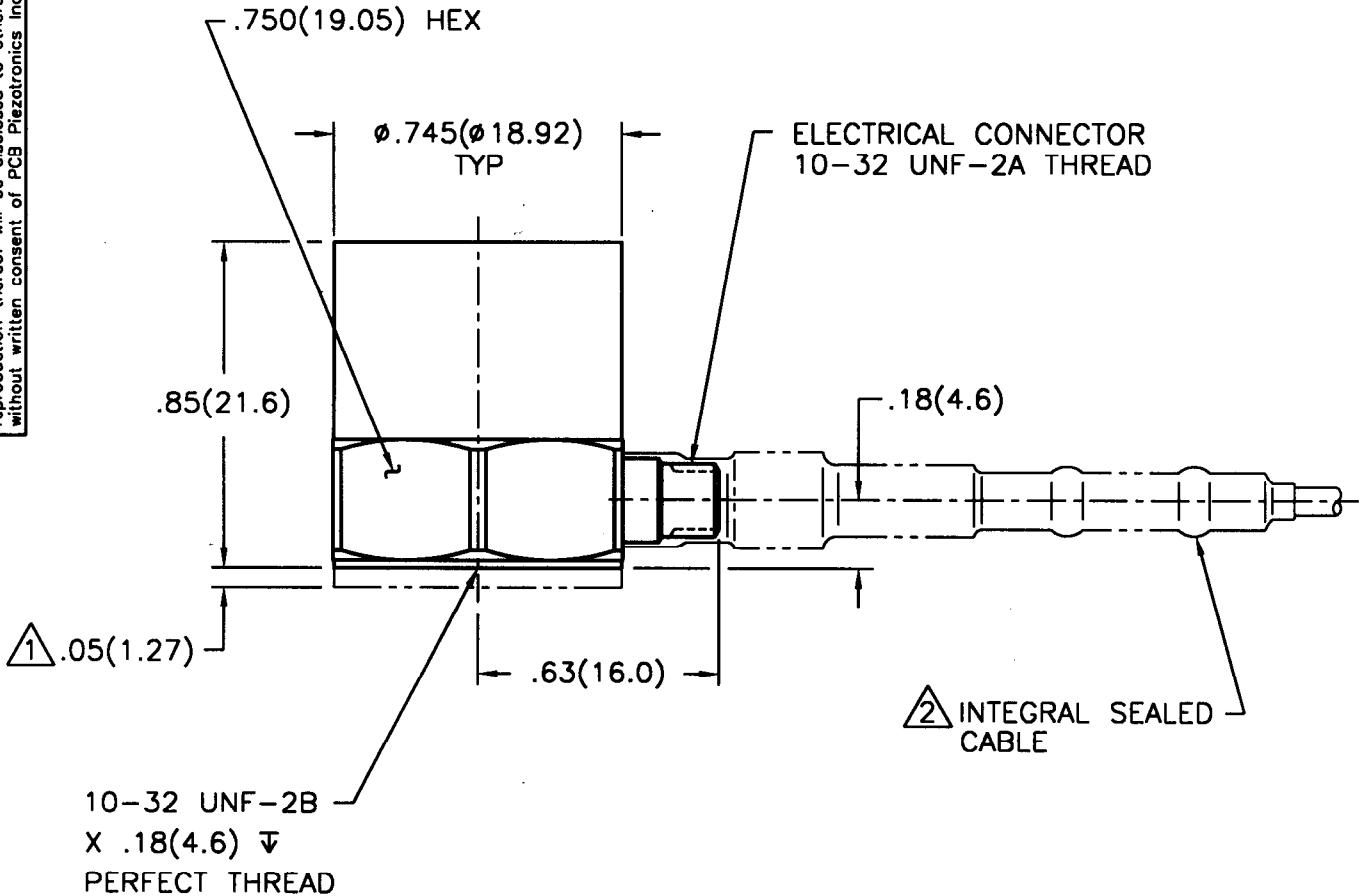


351-2310-95

PCB Piezotronics Inc. claims proprietary rights in the information disclosed hereon. Neither it nor any reproduction thereof will be disclosed to others without written consent of PCB Piezotronics Inc.

APPLICATION		
NEXT ASS'Y	USED ON	VAR

REVISIONS				
REV	DESCRIPTION	ECN	DATE	APP'D
B	REVISED PER ECN	6447	2/8/96	DM 2/96



- 2 ADD CABLE FOR TRANSDUCER WITH WATER RESISTANT OPTION.
- 1 ADD DIMENSION FOR TRANSDUCER WITH GROUND ISOLATED OPTION.

UNLESS SPECIFIED TOLERANCES		DRAWN				MFG		PCB	
DIMENSIONS IN INCHES	DIMENSIONS IN MILLIMETERS (IN PARENTHESIS)	JE	2/12/96	DM	2/13/96	ENGR	CMP	2/13/96	PIEZOTRONICS, INC.
DECIMALS XX ± .01	DECIMALS XX ± 0.3	APP'D	EV	2/14/96					3425 WALDEN AVE. DEPEW, NEW YORK 14043
XXX ± .005	XXX ± 0.13								PHONE: (716) 684-0001
ANGLES ± 2 DEGREES	ANGLES ± 2 DEGREES	TITLE				CODE	DWG. NO.		
FILLETS AND RADI	FILLETS AND RADI	OUTLINE DRAWING				IDENT. NO.	351-2310-95		
.003 - .005	(0.07 - 0.13)	351B31 & B41 SERIES				52681			
		ACCELEROMETER				SCALE: 2X	SHEET 1 OF 1		
DD011 REV. A 05/26/95									