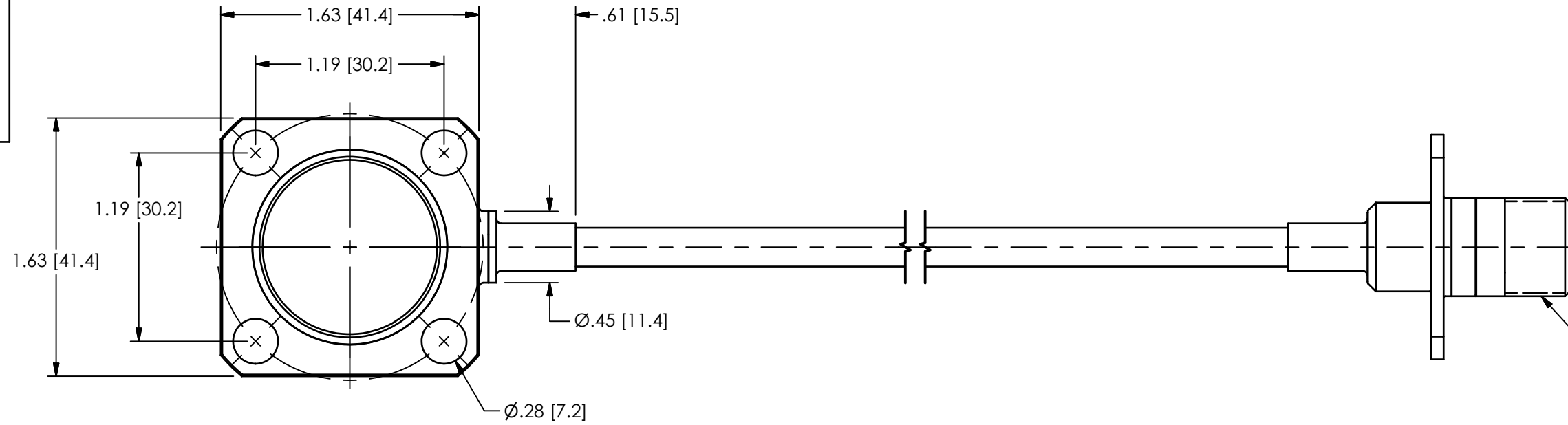


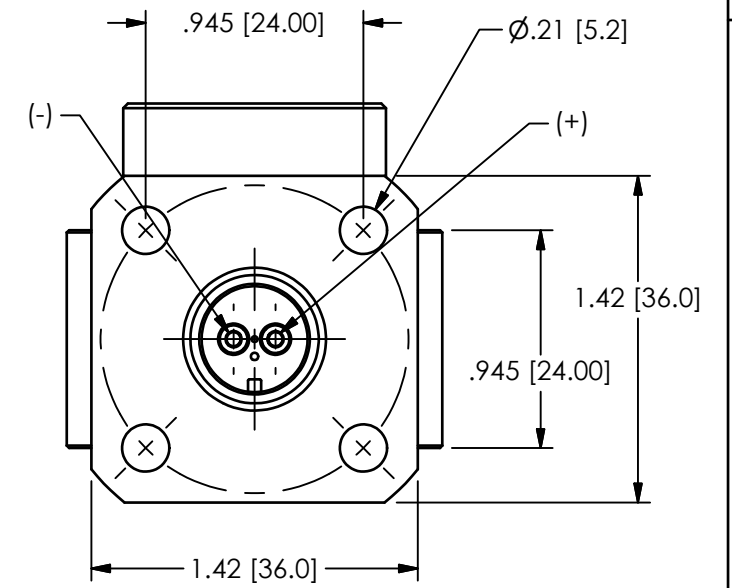
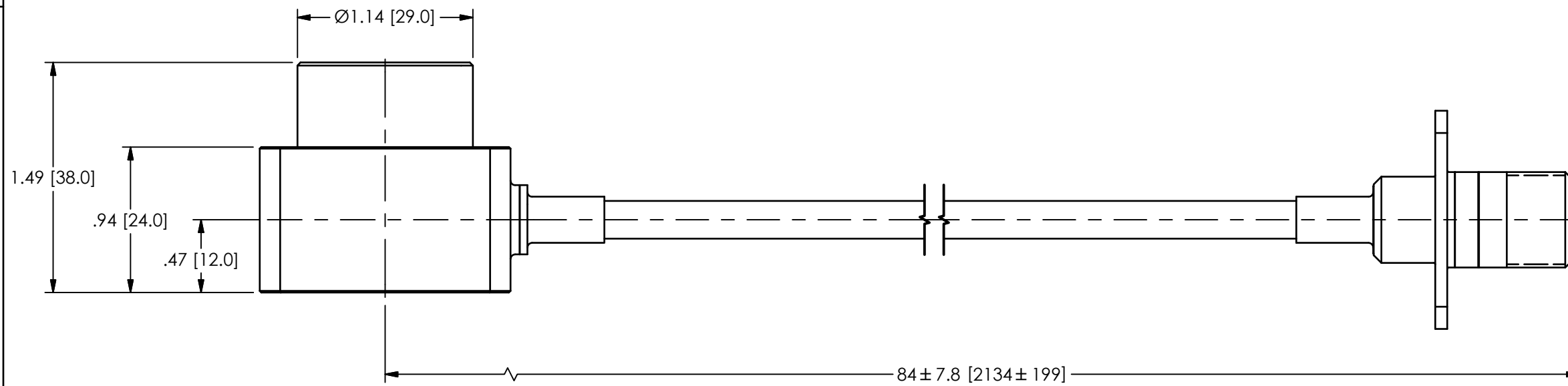
PCB Piezotronics Inc. claims proprietary rights in the information disclosed herein. Neither it nor any reproduction thereof will be disclosed to others without the written consent of PCB Piezotronics Inc.


59256

REVISIONS		
REV	DESCRIPTION	DIN
NR	RELEASED TO DRAFTING	44641



5/8-24 UNEF - 2A
CONNECTOR
MATES WITH
MIL-C-5015



UNLESS OTHERWISE SPECIFIED TOLERANCES ARE:		DRAWN		CHECKED		ENGINEER		 3425 WALDEN AVE. DEPEW, NY 14043 (716) 684-0001 E-MAIL: sales@pcb.com
DIMENSIONS IN INCHES	DIMENSIONS IN MILLIMETERS [IN BRACKETS]	BB	9/30/15	ECB	9/30/15	JJD	9/30/15	
DECIMALS XX ±.03 XXX ±.010	DECIMALS X ±0.8 XX ±0.25	TITLE OUTLINE DRAWING HIGH TEMP ACCELEROMETER						DWG. NO. 59256
ANGLES ± 2 DEGREES	ANGLES ± 2 DEGREES							SCALE: 1.2X
FILLETS AND RADII .003 - .005	FILLETS AND RADII 0.07 - 0.13							

bbefinger 16:19 9/30/2015